



SELECT SERIES PRODUCT SHEET

HP 75 / HP 78 Ladder

CHASSIS

- E-ONE Cyclone or Typhoon Cab
- Cab Lengths:
 - Medium (58") HP 75
 - Long (67.5") HP 75 or 78
- GAWR: 21,500# Front Axle, 33,000# Rear Axle
- Wheelbase:
 - HP 75: 210"-220"
 - HP 78: 220"
- Flat or 12" Split Raised Roof
- Barrier Style or Extended Cab Doors
- Seating Packages for up to 6 from Valor, Bostrom and 911 (SCBA or non-SCBA)
- Interior Storage Cabinets Over Wheels or Center Rear Wall
- HD Channel Style Bumper 20" with Center Tray or 28" with Double Crosslays
- Dimensions:
 - HP 75 OAH: 11'-4" +/- 1"
 - HP 78 OAH: 11'-7" +/- 1"
 - OAL: 37'-1" +/- 1"

BODY FEATURES

- Extruded Aluminum Body
- SideStacker™ Hose Bed with Tall R1 Compartment
- Hinged, Roll-Up or Combo of Both Doors; ROM or Amdor; Satin or Painted
- Storage for Alco-Lite or Duo-Safety Ladders
- Hosebed Capacity: 800' 5" LDH + 300' 2.5/3" DJ

ELECTRIC & WARNING

- Various Models of Whelen or Federal Warning Lights
- Optional Rear Directional Bar
- Whelen or Federal Electronic Siren, Q2B Optional
- Whelen, FireTech or Federal Scene Lighting Packages
- Optional 8kW Generator with Cord Reel, Side Receptacles and Tip Receptacle
- Whelen or FireTech Aerial Tip / Base Lighting
- Optional Amdor Climbing Lights

AERIAL

- Welded Aluminum Construction
- 2.5 to 1 Structural Safety Factor
- HP 75: 500# Tip Load (Wet or Dry)
HP 78: 750# Tip Load (500# Wet)
- Reach: 78' Vertical; 70'-2" Horizontal
- Advanced Aerial Controls; Tip Controls and Pump Panel Control Station Optional
- (2) H-Style Outriggers with 16' Spread; Short Jacking Optional
- Aerial Equipment Options Include Lifting Eyes, Roof Ladder Brackets, Axe, Pike Pole, Rope Roller, Stokes Basket.

PUMP & PLUMBING

- Hale QMAX or Waterous CSU Pumps; 1500 GPM, 2000 GPM or 6000 LPM
- 500 Gallon Water or 470 Water / 30 Gallon Foam Tank
- FoamPro 2002 or Foam Manifold Package
- Pump Module with Triple Crosslays with (2) 1.75" and (1) 2.5" or Double with (1) 1.75" and (1) 2.5". Dunnage Pan Standard, Backboard Storage Optional.
- Monitor: Akron StreamMaster II or TFT Flex (Pinnable Standard). 2.5" Valve and Extended Range Optional.

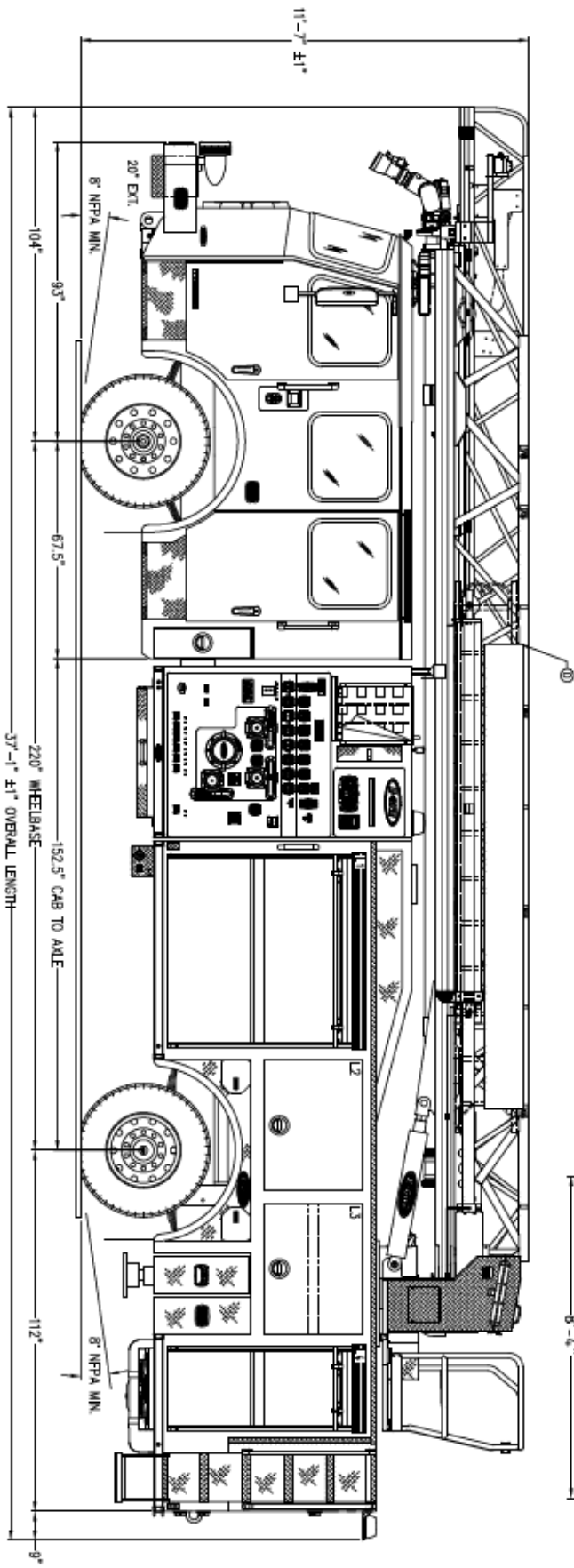
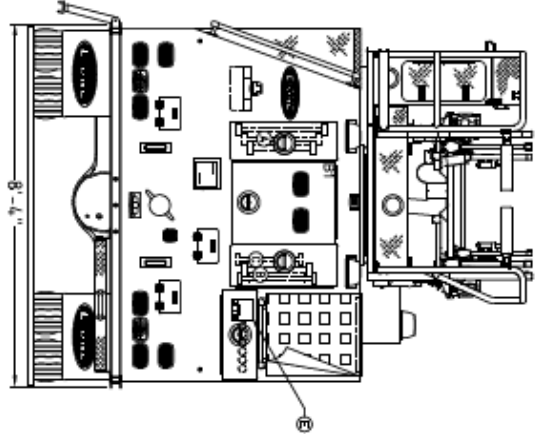


E-ONE, INC.
Ocala, FL
PRELIMINARY DRAWING
E-ONE TYPHOON CHASSIS
HP78 AERIAL LADDER

This drawing is for reference purposes. All dimensions are subject to special variations due to manufacturing processes. This part is the property of E-One, Inc. and is loaned to you subject to return on demand, unless otherwise agreed to in writing by E-One, Inc. The contents are confidential and shall not be copied or distributed to third parties for use or reproduction.

2000 GPM HALE MAXX PUMP 470 GALLON WATER TANK 30 GALLON AERIAL CLASS "A" FOAM TANK		HORSE LOAD NFPA COMPLIANT	
COMPL.	OPENING	INTERIOR DIMENSION	
L1	58W 52H	80W 28T 60W 28H	21D Upper 28D Lower
L2	40W 31H	40W 35H	24D
L3	40W 31H	40W 31H	21D Upper 18D Lower
L4	24W 52H	24W 28H 24W 28H	28D Lower 28D Lower
R1	58W 52H	80W 28H 60W 28H	21D Upper 28D Lower
R2	47W 26H	45W 26H	26D
B1	21W 28H	TURNABLE ACCESS ONLY	

ITEM	LADDER LENGTH	MODEL NUMBER	QTY
A	35' 3-SECT.	PRL-35	1
B	28' 2-SECT.	PRL-28	1
C	16' ROOF	PRL/PRL-16	1
D	14' ROOF	PRL-14	1
E	10' FOLDING	FL-10	1





SELECT SERIES PRODUCT SHEET

Metro 100 Quint Ladder

CHASSIS

- E-ONE Cyclone or Typhoon Cab
- Cab Lengths:
 - Medium (58")
 - Long (67.5")
- GAWR: 24,000# Front Axle, 35,000# Rear Axle
- Wheelbase
 - 235" W/ Medium Cab
 - 245" W/ Long Cab
- Spring or Air Ride Suspension
- Flat or 12" Split Raised Roof
- Barrier Style or Extended Cab Doors
- Seating Packages for up to 6 from Valor, Bostrom and 911 (SCBA or non-SCBA)
- Interior Storage Cabinets Over Wheels or Center Rear Wall
- HD Channel Style Bumper 20" with Center Tray or 28" with Double Crosslays
- Dimensions:
 - OAH W/58" Cab: 11'-7" +/- 1"
 - OAH W/67.5" Cab: 11'-10" +/- 1"
 - OAL: 39'-4" to 40'-1" +/- 1"
 - Depending Upon Options

BODY FEATURES

- Extruded Aluminum Body
- SideStacker™ Hose Bed with Tall R2 Compartment
- Hinged, Roll-Up or Combo of Both Doors; ROM or Amdor; Satin or Painted
- Storage for Alco-Lite or Duo-Safety Ladders
- Hosebed Capacity: 800 - 900' 5" LDH + 300 - 400' 2.5/3" DJ

ELECTRIC & WARNING

- Various Models of Whelen or Federal Warning Lights
- Optional Rear Directional Bar
- Whelen or Federal Electronic Siren, Q2B Optional
- Whelen, FireTech or Federal Scene Lighting Packages
- Optional 8kW Generator with Cord Reel, Side Receptacles and Tip Receptacle
- Whelen or FireTech Aerial Tip / Base Lighting
- Optional Amdor Climbing Lights

AERIAL

- HR 100 With Welded Aluminum Construction
- 2.5 to 1 Structural Safety Factor
- 500# Tip Load (Wet or Dry)
- Reach: 100' Vertical; 92' Horizontal
- Advanced Aerial Controls; Tip Controls and Pump Panel Control Station Optional
- (4) Crisscross Underslung Jacks with 11' Spread
- Aerial Equipment Options Include Lifting Eyes, Roof Ladder Brackets, Axe, Pike Pole, Rope Roller, Stokes Basket.

PUMP & PLUMBING

- Hale DSD 1500 GPM (1250 IGPM or 5000 LPM optional); Waterous ESU1 (1500 GPM, 2000 GPM or 6000 LPM)
- 470 Gallon Water or 450 Water / 20 Gallon Foam Tank
- FoamPro 2002 or Foam Manifold Package
- Pump Module with Triple Crosslays with (2) 1.75" and (1) 2.5" or Double with (1) 1.75" and (1) 2.5". Dunnage Pan Standard, Backboard Storage Optional.
- Akron StreamMaster II or TFT Flex (Pinnable Standard). 2.5" Valve and Extended Range Optional.



E-ONE OCALA, FL

PRELIMINARY DRAWING
AERIAL BODY W/ SIDE STACKER HOSEBED
E-ONE TYPHOON CHASSIS
HR100 LADDER

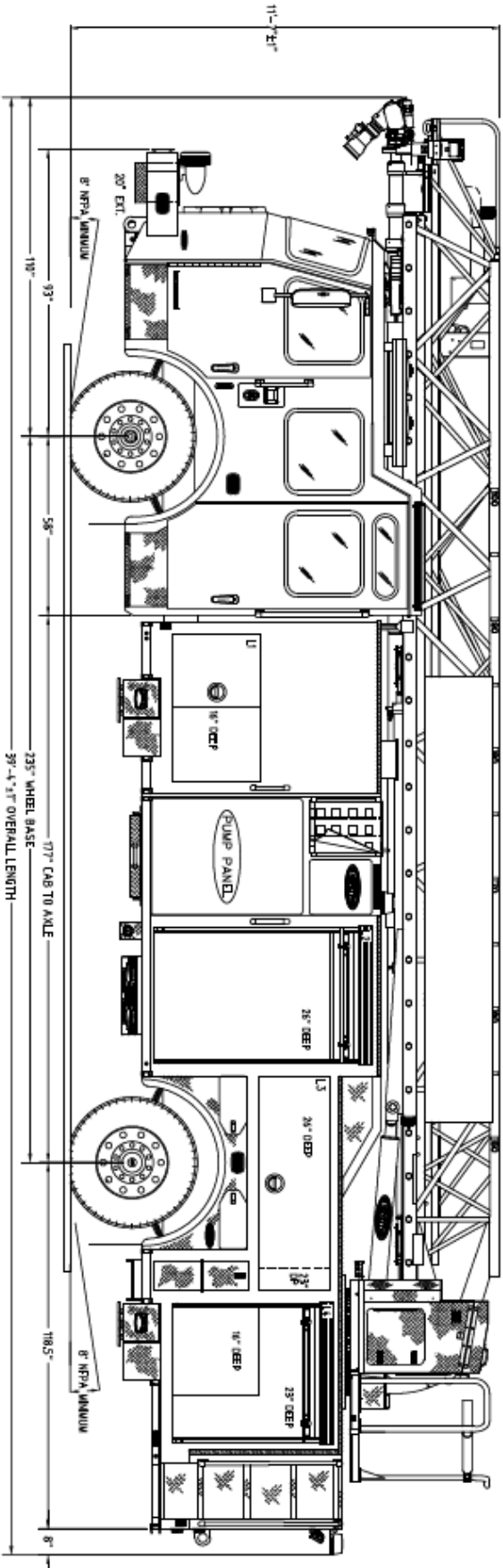
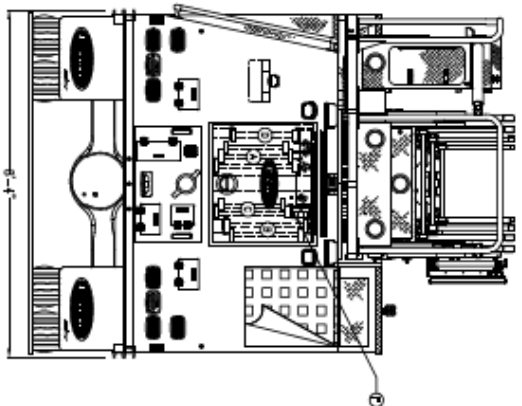
THIS DRAWING IS FOR REFERENCE PURPOSES. ALL DIMENSIONS ARE SUBJECT TO MINOR VARIATIONS DUE TO MANUFACTURING PROCEDURES.

This part is the property of E-One, Inc. and is loaned to you subject to return on demand, unless otherwise agreed and must not be copied or authorized for third parties for use or reproduction.

1500 GPM HALE OSD PUMP 500 GALLON WATER TANK		HOSE LOAD NFPA COMPLIANT	
COMP.	OPENING	INTERIOR DIMENSION	
L1	47W 28H	47W 28H	160
R1	29W 28H	29W 28H	160
L2/R2	42W 60H	44W 59H	UPPER 24D LOWER 24D
L3	69W 23H	69W 23H	NOTED
R3	25W 24H	25W 24H	160
L4	43W 42H	45W 40H	UPPER 24D LOWER 24D
R4	40W 27H	40W 27H	230

ITEM	LADDER LENGTH	MODEL NUMBER	QTY
A	35'-3-SECT.	1225-A 35'	1
B	28'-2-SECT.	1200-A 28'	1
C	24'-2-SECT.	900-A 24'	1
D	16' ROOF	875-OR 16'	1
E	14' ROOF	775-OR 14'	1
F	10' FOLDING	585-A 10'	1

ON AERIAL





SELECT SERIES PRODUCT SHEET

HR 100 Tandem Ladder

CHASSIS

- E-ONE Cyclone or Typhoon Cab
- Cab Lengths:
 - Medium (58")
 - Long (67.5")
- GAWR: 22,800# Front Axle, 48,000# Rear Axle
- Wheelbase
 - 230" W/ Medium Cab
 - 240" W/ Long Cab
- Spring or Air Ride Suspension
- Flat or 12" Split Raised Roof
- Barrier Style or Extended Cab Doors
- Seating Packages for up to 6 from Valor, Bostrom and 911 (SCBA or non-SCBA)
- Interior Storage Cabinets Over Wheels or Center Rear Wall
- HD Channel Style Bumper 20" with Center Tray or 28" with Double Crosslays
- Dimensions:
 - OAH: 11'-7" +/- 1"
 - OAL: 40'-10" to 42'-2" +/- 1"
 - Depending Upon Options

BODY FEATURES

- Extruded Aluminum Body
- SideStacker™ Hose Bed
- Extended Height L1 / L2 / L3 and R1 / R2 Compartments
- Hinged or Combo of Hinged and Roll-up; ROM or Amdor; Satin or Painted
- Angled Rear Body Corners Optional
- Storage for Alco-Lite or Duo-Safety Ladders
- Hosebed Capacity: 900 - 1000' 5" LDH + 300 - 400' 2.5/3" DJ

ELECTRIC & WARNING

- Various Models of Whelen or Federal Warning Lights
- Optional Rear Directional Bar
- Whelen or Federal Electronic Siren, Q2B Optional
- Whelen, FireTech or Federal Scene Lighting Packages
- Optional 8kW Generator with Cord Reel, Side Receptacles and Tip Receptacle
- Whelen or FireTech Aerial Tip / Base Lighting
- Optional Amdor Climbing Lights

AERIAL

- Welded Aluminum Construction
- 2.5 to 1 Structural Safety Factor
- 500# Tip Load (Wet or Dry)
- Reach: 100' Vertical; 92' Horizontal
- Advanced Aerial Controls; Tip Controls Optional
- (4) Crisscross Underslung Jacks with 12' Spread
- Aerial Equipment Options Include Lifting Eyes, Roof Ladder Brackets, Axe, Pike Pole, Rope Roller, Stokes Basket.

PUMP & PLUMBING

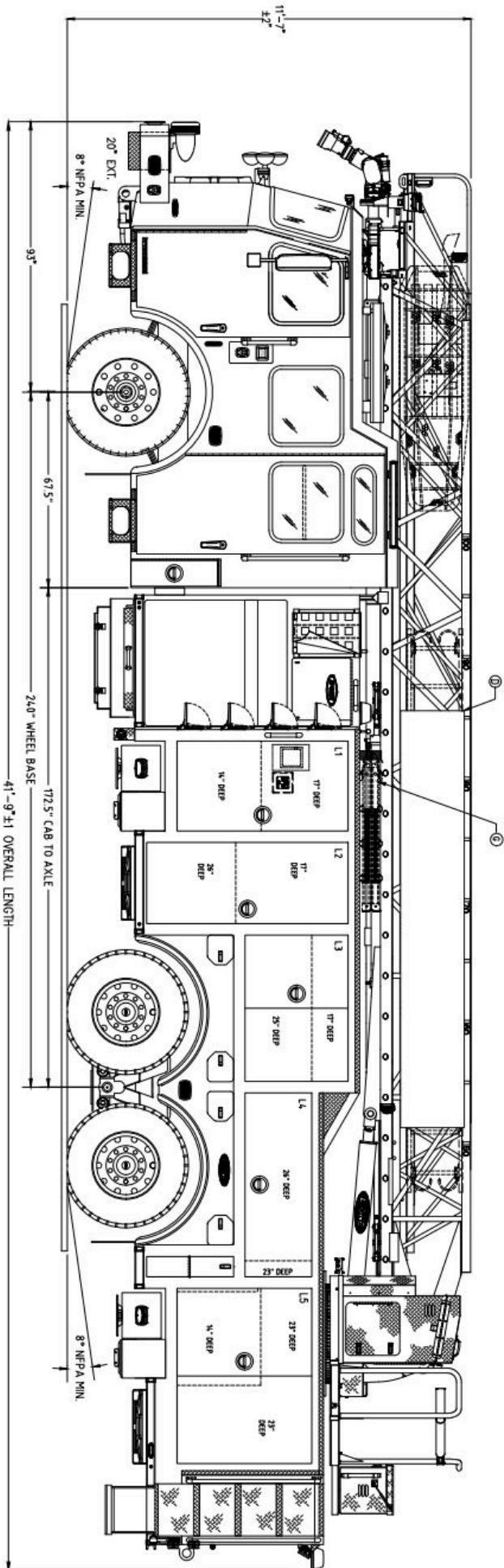
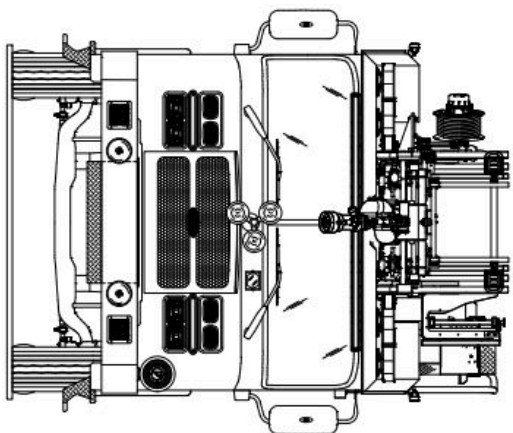
- Hale Qmax 1500 or 2000 GPM (6000 LPM optional); Waterous CSU 1500 or 2000 GPM (6000 LPM optional)
- 500 Gallon Water or 480 Water / 20 Gallon Foam Tank
- FoamPro 2002 or Foam Manifold Package
- Pump Module with Triple Crosslays with (2) 1.75" and (1) 2.5" or Double with (1) 1.75" and (1) 2.5". Dunnage Pan Standard, Backboard Storage Optional.
- Akron StreamMaster II or TFT Flex (Pinnable Standard). 2.5" Valve and Extended Range Optional



E-ONE
OCALA FL
 PRELIMINARY DRAWING
 AERIAL BODY W/ SIDE STACKER HOSEBED
 E-ONE TYPHOON CHASSIS
 HR100 LADDER

THIS DRAWING IS FOR REFERENCE PURPOSES. ALL DIMENSIONS ARE SUBJECT TO MINOR VARIATIONS DUE TO MANUFACTURING PROCESSES.
 This print is the property of E-One, Inc. and is loaned to you subject to return on demand, unless otherwise agreed to in writing by E-One, Inc. No contents are confidential and must not be copied or transmitted to third parties for sale or distribution.

HOSE LOAD:		
2000 GPM HALE QMAX PUMP		
480 GALLON WATER TANK		
20 GALLON CLASS A FOAM		
NFPA COMPLIANT		
COMP.	OPENING	INTERIOR DIMENSION
L1/R1	31W	31W 30H 17D UPPER LOWER
L2/R2	28W	28W 28H 14D UPPER LOWER
L3	50W	50W 28H 28D UPPER LOWER
R3	31W	31W 19H 19H 14D
L4	63W	23H 63W 23H 23H NOTED
R4	49W	26H 49W 26H 23D UPPER LOWER
L5	60W	46H 60W 17H 23D UPPER LOWER
		60W 28H NOTED
GROUND LADDERS		
ITEM	LADDER LENGTH	MODEL NUMBER QTY
A	35' 2-SECT.	1200-A 35' 1
B	28' 2-SECT.	1200-A 28' 1
C	24' 2-SECT.	900-A 24' 1
D	14' ROOF	775-A 14' 2
E	16' ROOF	775-A 16' 1
F	10' FOLDING	585-A 10' 1
G	LITTLE GIANT	MODEL 17 1



ITEM	QTY	DESCRIPTION	REV	DATE
1	1	ASSEMBLY		
2	1	ASSEMBLY		
3	1	ASSEMBLY		
4	1	ASSEMBLY		
5	1	ASSEMBLY		
6	1	ASSEMBLY		
7	1	ASSEMBLY		
8	1	ASSEMBLY		
9	1	ASSEMBLY		
10	1	ASSEMBLY		
11	1	ASSEMBLY		
12	1	ASSEMBLY		
13	1	ASSEMBLY		
14	1	ASSEMBLY		
15	1	ASSEMBLY		
16	1	ASSEMBLY		
17	1	ASSEMBLY		
18	1	ASSEMBLY		
19	1	ASSEMBLY		
20	1	ASSEMBLY		
21	1	ASSEMBLY		
22	1	ASSEMBLY		
23	1	ASSEMBLY		
24	1	ASSEMBLY		
25	1	ASSEMBLY		
26	1	ASSEMBLY		
27	1	ASSEMBLY		
28	1	ASSEMBLY		
29	1	ASSEMBLY		
30	1	ASSEMBLY		
31	1	ASSEMBLY		
32	1	ASSEMBLY		
33	1	ASSEMBLY		
34	1	ASSEMBLY		
35	1	ASSEMBLY		
36	1	ASSEMBLY		
37	1	ASSEMBLY		
38	1	ASSEMBLY		
39	1	ASSEMBLY		
40	1	ASSEMBLY		
41	1	ASSEMBLY		
42	1	ASSEMBLY		
43	1	ASSEMBLY		
44	1	ASSEMBLY		
45	1	ASSEMBLY		
46	1	ASSEMBLY		
47	1	ASSEMBLY		
48	1	ASSEMBLY		
49	1	ASSEMBLY		
50	1	ASSEMBLY		
51	1	ASSEMBLY		
52	1	ASSEMBLY		
53	1	ASSEMBLY		
54	1	ASSEMBLY		
55	1	ASSEMBLY		
56	1	ASSEMBLY		
57	1	ASSEMBLY		
58	1	ASSEMBLY		
59	1	ASSEMBLY		
60	1	ASSEMBLY		
61	1	ASSEMBLY		
62	1	ASSEMBLY		
63	1	ASSEMBLY		
64	1	ASSEMBLY		
65	1	ASSEMBLY		
66	1	ASSEMBLY		
67	1	ASSEMBLY		
68	1	ASSEMBLY		
69	1	ASSEMBLY		
70	1	ASSEMBLY		
71	1	ASSEMBLY		
72	1	ASSEMBLY		
73	1	ASSEMBLY		
74	1	ASSEMBLY		
75	1	ASSEMBLY		
76	1	ASSEMBLY		
77	1	ASSEMBLY		
78	1	ASSEMBLY		
79	1	ASSEMBLY		
80	1	ASSEMBLY		
81	1	ASSEMBLY		
82	1	ASSEMBLY		
83	1	ASSEMBLY		
84	1	ASSEMBLY		
85	1	ASSEMBLY		
86	1	ASSEMBLY		
87	1	ASSEMBLY		
88	1	ASSEMBLY		
89	1	ASSEMBLY		
90	1	ASSEMBLY		
91	1	ASSEMBLY		
92	1	ASSEMBLY		
93	1	ASSEMBLY		
94	1	ASSEMBLY		
95	1	ASSEMBLY		
96	1	ASSEMBLY		
97	1	ASSEMBLY		
98	1	ASSEMBLY		
99	1	ASSEMBLY		
100	1	ASSEMBLY		