



SELECT SERIES PRODUCT SHEET

HP 75 / HP 78 Ladder

CHASSIS

- E-ONE Cyclone or Typhoon Cab
- Cab Lengths:
 - Medium (58") HP 75
 - Long (67.5") HP 75 or 78
- GAWR: 21,500# Front Axle, 33,000# Rear Axle
- Wheelbase:
 - HP 75: 210"-220"
 - HP 78: 220"
- Flat or 12" Split Raised Roof
- Barrier Style or Extended Cab Doors
- Seating Packages for up to 6 from Valor, Bostrom and 911 (SCBA or non-SCBA)
- Interior Storage Cabinets Over Wheels or Center Rear Wall
- HD Channel Style Bumper 20" with Center Tray or 28" with Double Crosslays
- Dimensions:
 - HP 75 OAH: 11'-4" +/- 1"
 - HP 78 OAH: 11'-7" +/- 1"
 - OAL: 37'-1" +/- 1"

BODY FEATURES

- Extruded Aluminum Body
- SideStacker™ Hose Bed with Tall R1 Compartment
- Hinged, Roll-Up or Combo of Both Doors; ROM or Amdor; Satin or Painted
- Storage for Alco-Lite or Duo-Safety Ladders
- Hosebed Capacity: 800' 5" LDH + 300' 2.5/3" DJ

ELECTRIC & WARNING

- Various Models of Whelen or Federal Warning Lights
- Optional Rear Directional Bar
- Whelen or Federal Electronic Siren, Q2B Optional
- Whelen, FireTech or Federal Scene Lighting Packages
- Optional 8kW Generator with Cord Reel, Side Receptacles and Tip Receptacle
- Whelen or FireTech Aerial Tip / Base Lighting
- Optional Amdor Climbing Lights

AERIAL

- Welded Aluminum Construction
- 2.5 to 1 Structural Safety Factor
- HP 75: 500# Tip Load (Wet or Dry)
HP 78: 750# Tip Load (500# Wet)
- Reach: 78' Vertical; 70'-2" Horizontal
- Advanced Aerial Controls; Tip Controls and Pump Panel Control Station Optional
- (2) H-Style Outriggers with 16' Spread; Short Jacking Optional
- Aerial Equipment Options Include Lifting Eyes, Roof Ladder Brackets, Axe, Pike Pole, Rope Roller, Stokes Basket.

PUMP & PLUMBING

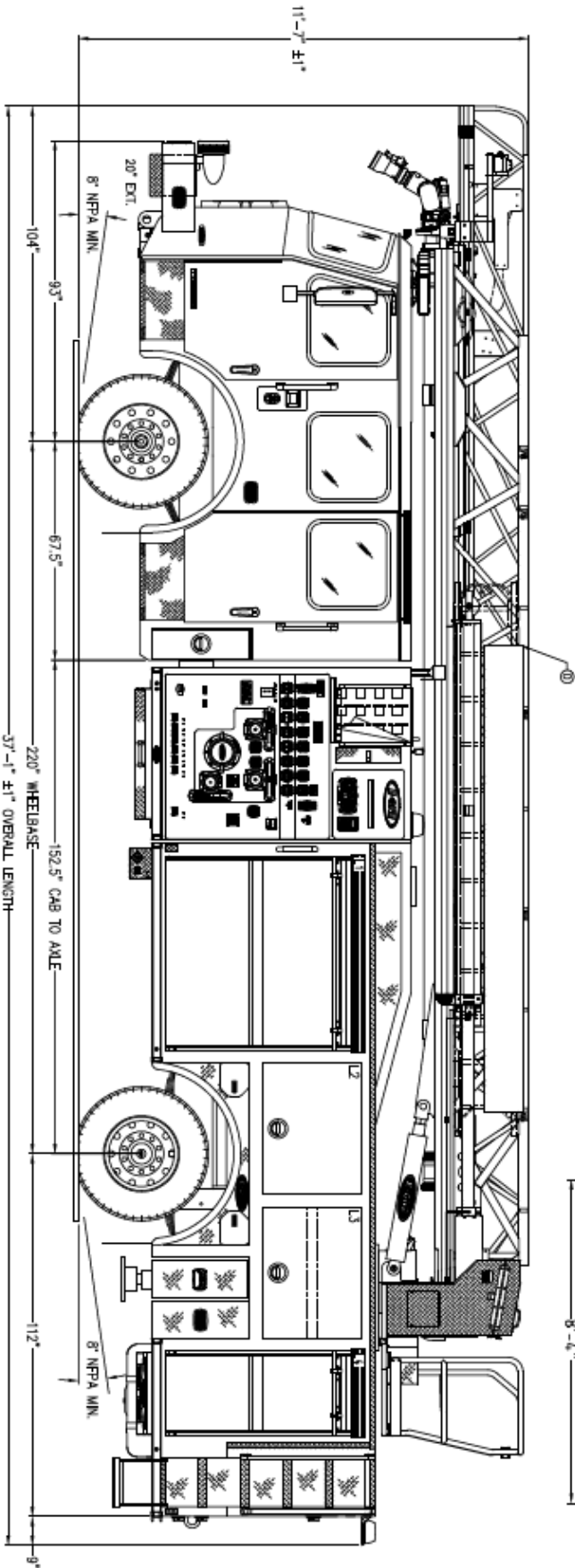
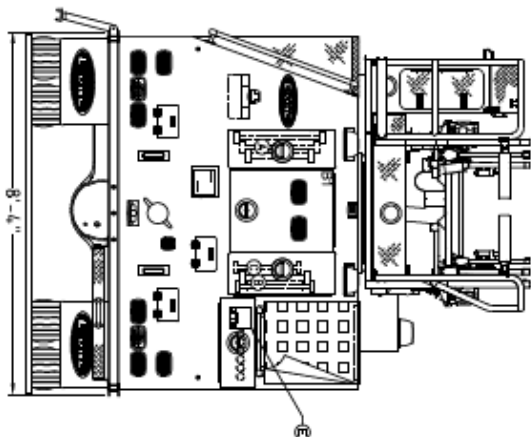
- Hale QMAX or Waterous CSU Pumps; 1500 GPM, 2000 GPM or 6000 LPM
- 500 Gallon Water or 470 Water / 30 Gallon Foam Tank
- FoamPro 2002 or Foam Manifold Package
- Pump Module with Triple Crosslays with (2) 1.75" and (1) 2.5" or Double with (1) 1.75" and (1) 2.5". Dunnage Pan Standard, Backboard Storage Optional.
- Monitor: Akron StreamMaster II or TFT Flex (Pinnable Standard). 2.5" Valve and Extended Range Optional.



E-ONE, INC.
Ocala, FL
PRELIMINARY DRAWING
E-ONE TYPHOON CHASSIS
HP78 AERIAL LADDER

This drawing is for reference purposes. All dimensions are subject to special variations due to manufacturing processes. This part is the property of E-One, Inc. and is loaned to you subject to return on demand, unless otherwise agreed to in writing by E-One, Inc. The contents are confidential and shall not be copied or distributed to third parties for use or reproduction.

2000 GPM HALE MAXX PUMP 470 GALLON WATER TANK 30 GALLON AERIAL CLASS "A" FOAM TANK		HORSE LOAD	
		NFPA COMPLIANT	
COMPL.	OPENING	INTERIOR DIMENSION	
L1	58W 52H	80W 35T 21D Upper 60W 28H 26D Lower	24D
L2	40W 31H	40W 35H	24D
L3	40W 31H	40W 21D Upper 40W 14H 11D Lower	24D
L4	24W 52H	24W 28H 26D Lower	24D
R1	58W 52H	80W 35T 21D Upper 60W 28H 26D Lower	24D
R2	47W 26H	45W 26H	26D
B1	21W 28H	TURNABLE ACCESS ONLY	
GROUND LADDERS			
ITEM	LADDER LENGTH	MODEL NUMBER	QTY
A	35' 3-SECT.	PRL-35	1
B	28' 2-SECT.	PRL-28	1
C	16' ROOF	PRL/PRL-16	1
D	14' ROOF	PRL-14	1
E	10' FOLDING	FL-10	1





SELECT SERIES PRODUCT SHEET

Metro 100 Quint Ladder

CHASSIS

- E-ONE Cyclone or Typhoon Cab
- Cab Lengths:
 - Medium (58")
 - Long (67.5")
- GAWR: 24,000# Front Axle, 35,000# Rear Axle
- Wheelbase
 - 235" W/ Medium Cab
 - 245" W/ Long Cab
- Spring or Air Ride Suspension
- Flat or 12" Split Raised Roof
- Barrier Style or Extended Cab Doors
- Seating Packages for up to 6 from Valor, Bostrom and 911 (SCBA or non-SCBA)
- Interior Storage Cabinets Over Wheels or Center Rear Wall
- HD Channel Style Bumper 20" with Center Tray or 28" with Double Crosslays
- Dimensions:
 - OAH W/58" Cab: 11'-7" +/- 1"
 - OAH W/67.5" Cab: 11'-10" +/- 1"
 - OAL: 39'-4" to 40'-1" +/- 1"
 - Depending Upon Options

BODY FEATURES

- Extruded Aluminum Body
- SideStacker™ Hose Bed with Tall R2 Compartment
- Hinged, Roll-Up or Combo of Both Doors; ROM or Amdor; Satin or Painted
- Storage for Alco-Lite or Duo-Safety Ladders
- Hosebed Capacity: 800 - 900' 5" LDH + 300 - 400' 2.5/3" DJ

ELECTRIC & WARNING

- Various Models of Whelen or Federal Warning Lights
- Optional Rear Directional Bar
- Whelen or Federal Electronic Siren, Q2B Optional
- Whelen, FireTech or Federal Scene Lighting Packages
- Optional 8kW Generator with Cord Reel, Side Receptacles and Tip Receptacle
- Whelen or FireTech Aerial Tip / Base Lighting
- Optional Amdor Climbing Lights

AERIAL

- HR 100 With Welded Aluminum Construction
- 2.5 to 1 Structural Safety Factor
- 500# Tip Load (Wet or Dry)
- Reach: 100' Vertical; 92' Horizontal
- Advanced Aerial Controls; Tip Controls and Pump Panel Control Station Optional
- (4) Crisscross Underslung Jacks with 11' Spread
- Aerial Equipment Options Include Lifting Eyes, Roof Ladder Brackets, Axe, Pike Pole, Rope Roller, Stokes Basket.

PUMP & PLUMBING

- Hale DSD 1500 GPM (1250 IGPM or 5000 LPM optional); Waterous ESU1 (1500 GPM, 2000 GPM or 6000 LPM)
- 470 Gallon Water or 450 Water / 20 Gallon Foam Tank
- FoamPro 2002 or Foam Manifold Package
- Pump Module with Triple Crosslays with (2) 1.75" and (1) 2.5" or Double with (1) 1.75" and (1) 2.5". Dunnage Pan Standard, Backboard Storage Optional.
- Akron StreamMaster II or TFT Flex (Pinnable Standard). 2.5" Valve and Extended Range Optional.



E-ONE OCALA, FL

PRELIMINARY DRAWING
AERIAL BODY W/ SIDE STACKER HOSEBED
E-ONE TYPHOON CHASSIS
HR100 LADDER

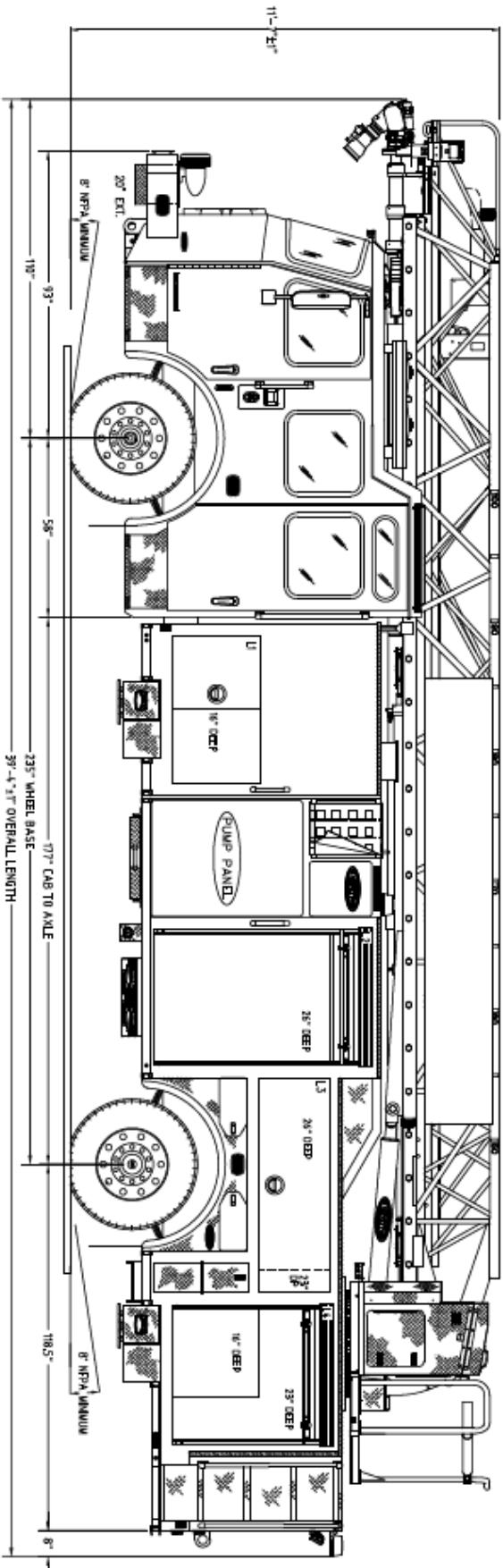
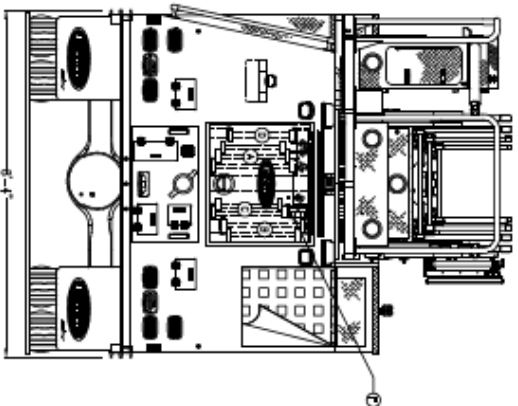
THIS DRAWING IS FOR REFERENCE PURPOSES. ALL DIMENSIONS ARE SUBJECT TO MINOR VARIATIONS DUE TO MANUFACTURING PROCEDURES.

This part is the property of E-One, Inc. and is loaned to you subject to return on demand, unless otherwise agreed and must not be copied or authorized for third parties for use or reproduction.

1500 GPM HALE OSD PUMP 500 GALLON WATER TANK		HOSE LOAD NFPA COMPLIANT	
COMP.	OPENING	INTERIOR DIMENSION	
L1	47W 28H	47W 28H	160
R1	29W 28H	29W 28H	160
L2/R2	42W 60H	44W 59H 24D LOWER	200
L3	69W 23H	69W 23H	NOTED
R3	25W 24H	25W 24H	160
L4	43W 42H	45W 42H 24H NOTED LOWER	160
R4	40W 27H	40W 27H	230

ITEM	LADDER LENGTH	MODEL NUMBER	QTY
A	35'-3-SECT.	1225-A 35'	1
B	28'-2-SECT.	1200-A 28'	1
C	24'-2-SECT.	900-A 24'	1
D	16' ROOF	875-OR 16'	1
E	14' ROOF	775-OR 14'	1
F	10' FOLDING	585-A 10'	1

ON AERIAL





SELECT SERIES PRODUCT SHEET

HR 100 Tandem Ladder

CHASSIS

- E-ONE Cyclone or Typhoon Cab
- Cab Lengths:
 - Medium (58")
 - Long (67.5")
- GAWR: 22,800# Front Axle, 48,000# Rear Axle
- Wheelbase
 - 230" W/ Medium Cab
 - 240" W/ Long Cab
- Spring or Air Ride Suspension
- Flat or 12" Split Raised Roof
- Barrier Style or Extended Cab Doors
- Seating Packages for up to 6 from Valor, Bostrom and 911 (SCBA or non-SCBA)
- Interior Storage Cabinets Over Wheels or Center Rear Wall
- HD Channel Style Bumper 20" with Center Tray or 28" with Double Crosslays
- Dimensions:
 - OAH: 11'-7" +/- 1"
 - OAL: 40'-10" to 42'-2" +/- 1"
 - Depending Upon Options

BODY FEATURES

- Extruded Aluminum Body
- SideStacker™ Hose Bed
- Extended Height L1 / L2 / L3 and R1 / R2 Compartments
- Hinged or Combo of Hinged and Roll-up; ROM or Amdor; Satin or Painted
- Angled Rear Body Corners Optional
- Storage for Alco-Lite or Duo-Safety Ladders
- Hosebed Capacity: 900 - 1000' 5" LDH + 300 - 400' 2.5/3" DJ

ELECTRIC & WARNING

- Various Models of Whelen or Federal Warning Lights
- Optional Rear Directional Bar
- Whelen or Federal Electronic Siren, Q2B Optional
- Whelen, FireTech or Federal Scene Lighting Packages
- Optional 8kW Generator with Cord Reel, Side Receptacles and Tip Receptacle
- Whelen or FireTech Aerial Tip / Base Lighting
- Optional Amdor Climbing Lights

AERIAL

- Welded Aluminum Construction
- 2.5 to 1 Structural Safety Factor
- 500# Tip Load (Wet or Dry)
- Reach: 100' Vertical; 92' Horizontal
- Advanced Aerial Controls; Tip Controls Optional
- (4) Crisscross Underslung Jacks with 12' Spread
- Aerial Equipment Options Include Lifting Eyes, Roof Ladder Brackets, Axe, Pike Pole, Rope Roller, Stokes Basket.

PUMP & PLUMBING

- Hale Qmax 1500 or 2000 GPM (6000 LPM optional); Waterous CSU 1500 or 2000 GPM (6000 LPM optional)
- 500 Gallon Water or 480 Water / 20 Gallon Foam Tank
- FoamPro 2002 or Foam Manifold Package
- Pump Module with Triple Crosslays with (2) 1.75" and (1) 2.5" or Double with (1) 1.75" and (1) 2.5". Dunnage Pan Standard, Backboard Storage Optional.
- Akron StreamMaster II or TFT Flex (Pinnable Standard). 2.5" Valve and Extended Range Optional

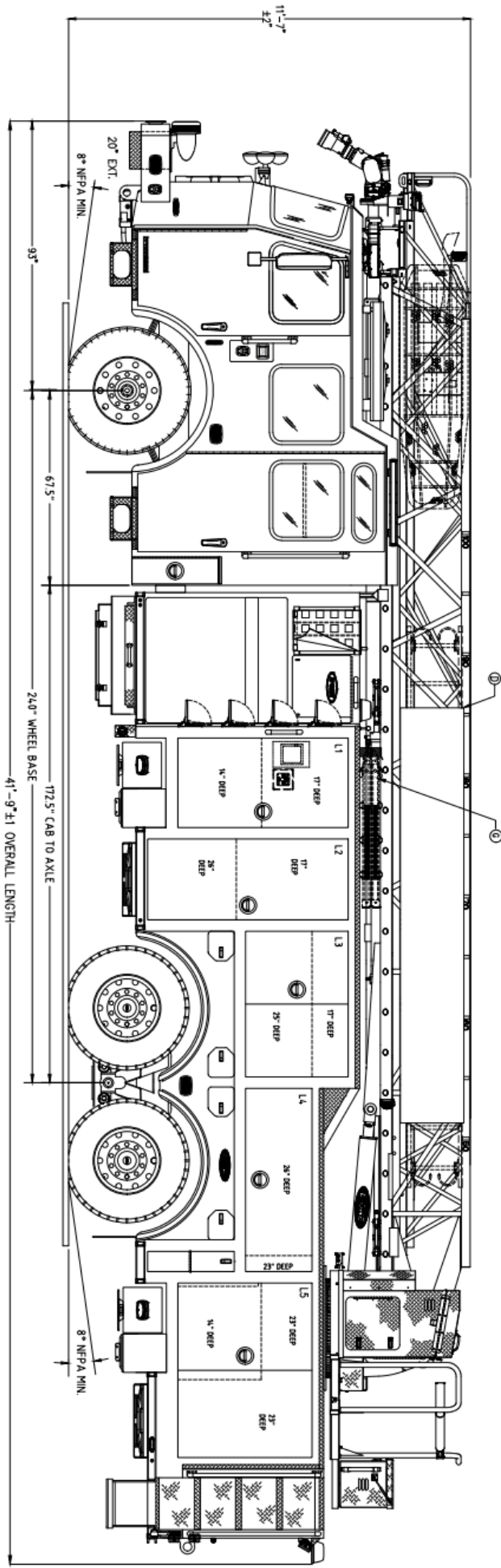
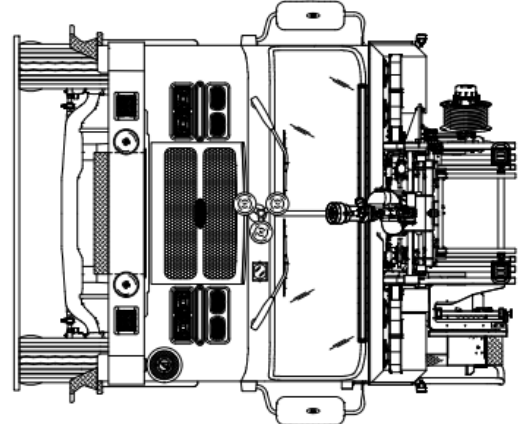


E-ONE
OCALA FL
PRELIMINARY DRAWING
AERIAL BODY W/ SIDE STACKER HOSEBED
E-ONE TYPHOON CHASSIS
HR100 LADDER

THIS DRAWING IS FOR REFERENCE PURPOSES. ALL DIMENSIONS ARE SUBJECT TO MINOR VARIATIONS DUE TO MANUFACTURING PROCESSES.

This print is the property of E-One, Inc. and is loaned to you subject to return on demand, unless otherwise agreed to in writing by E-One, Inc. It contains one confidential and must not be copied or transmitted to third parties for sale or distribution.

HOSE LOAD:			
2000 GPM HALE QMAX PUMP			
480 GALLON WATER TANK			
20 GALLON CLASS A FOAM			
HOSE COMPLIANT			
COMP. T.	INTERIOR DIMENSION		
L1/R1	31W 59H 21W 30H 17D UPPER LOWER		
L2/R2	28W 69H 28W 31H 28D UPPER LOWER		
L3	50W 35H 50W 28H 24D UPPER LOWER		
R3	31W 19H 31W 19H 14D		
L4	63W 23H 63W 23H NOTED		
R4	49W 26H 49W 26H 23D UPPER LOWER		
L5	60W 46H 60W 17H 23D 65W 28H NOTED UPPER LOWER		
GROUND LADDERS			
ITEM	LADDER LENGTH	MODEL NUMBER	QTY
A	35' 2-SECT.	1200-A 35'	1
B	28' 2-SECT.	1200-A 28'	1
C	24' 2-SECT.	900-A 24'	1
D	14' ROOF	775-A 14'	2
E	16' ROOF	775-A 16'	1
F	10' FOLDING	585-A 10'	1
G	LITTLE GIANT	MODEL 17	1



ITEM	QTY	DESCRIPTION	REV.	DATE
1	1	CHASSIS		
2	1	HOSE		
3	1	WHEEL		
4	1	AXLE		
5	1	ENGINE		
6	1	PUMP		
7	1	TANK		
8	1	FOAM		
9	1	ROOF		
10	1	FOLDING		
11	1	LITTLE GIANT		