

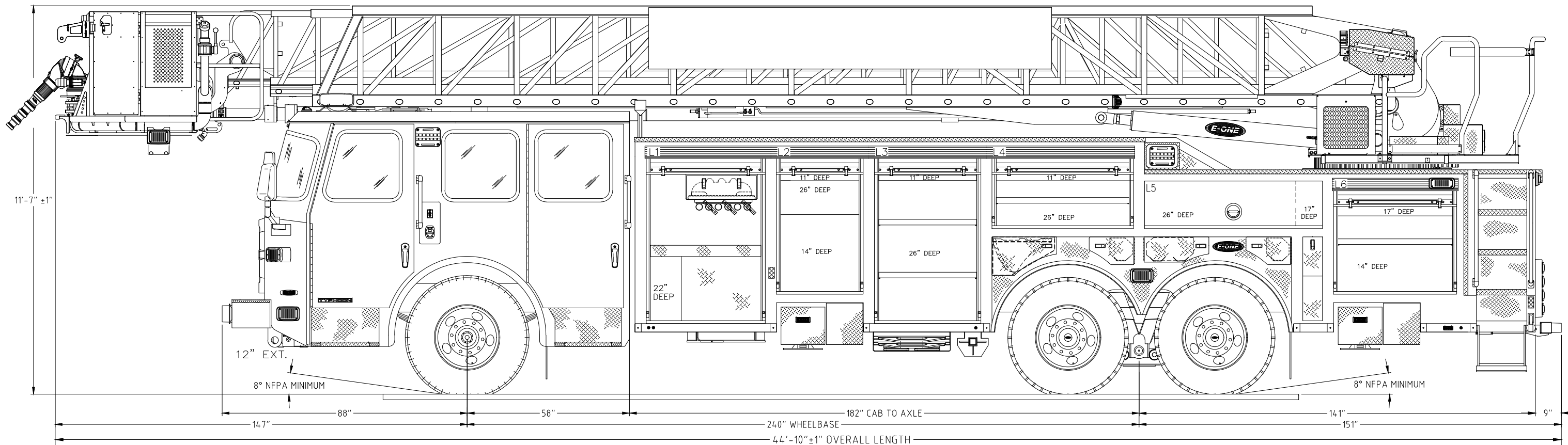
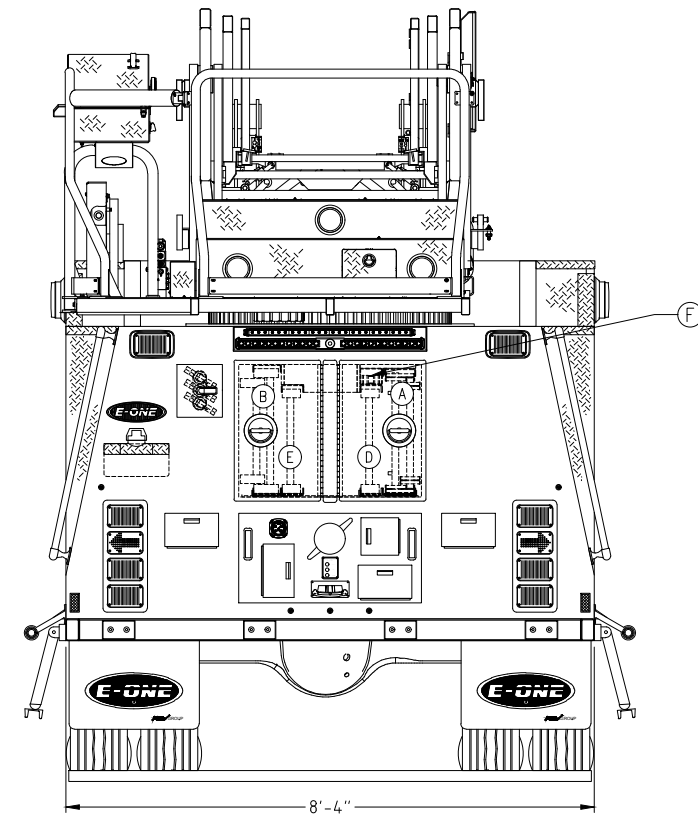
CITY OF NEWARK NEWARK, NJ

S0.145656/QUOTE 101594
AERM AERIAL BODY
E-ONE TYPHOON CHASSIS
95-PLATFORM AERIAL

THIS DRAWING IS FOR REFERENCE PURPOSES. ALL DIMENSIONS ARE SUBJECT TO MINOR VARIATIONS DUE TO MANUFACTURING PROCESSES.

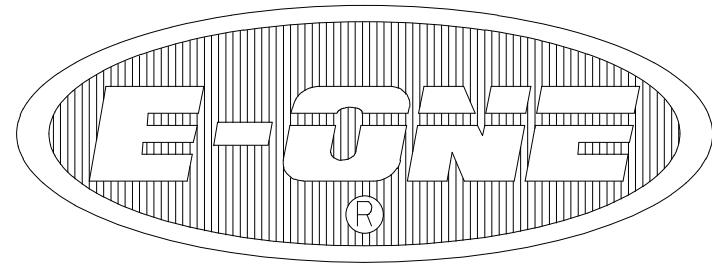
This print is the property of E-ONE, Inc. and is loaned to you subject to return on demand, unless otherwise agreed to in writing by E-ONE, Inc. Its contents are confidential and must not be copied or submitted to third parties for use or examination.

COMPT.	OPENING		INTERIOR DIMENSION			
L1/R1	40W	52H	42W	25H	NOTED	UPPER
			42W	27H	NOTED	LOWER
L2	29W	42H	31W	14H	NOTED	UPPER
			31W	27H	NOTED	LOWER
R2	31W	19H	31W	19H		14D
L3	36W	52H	38W	2H	11D	UPPER
			38W	50H	NOTED	LOWER
R3	38W	30H	38W	30H		26D
L4	48W	18H	50W	2H	11D	UPPER
			50W	16H	NOTED	LOWER
R4	44W	19H	44W	19H		14D
L5	63W	16H	63W	16H		NOTED
L6	42W	30H	44W	3H	17D	UPPER
			42W	27H	14D	LOWER
GROUND LADDERS						
ITEM	LADDER LENGTH	MODEL NUMBER	QTY			
A	40' 2-SECT.	TEL-40	1			
B	35' 2-SECT.	YGE-2 35'	1			
C	28' 2-SECT.	YGE-2 28'	1			
D	20' ROOF	YGR-ROOF 20'	1			
E	16' ROOF	YGR-ROOF 16'	3	ONE ON AERIAL		
F	10' FOLDING	FL-10	1			
G	LITTLE GIANT	MODEL 17	1			



STRANDER	A	INITIAL RELEASE	2022-MAR-01	STRANDER
DRAWN BY	REV	DESCRIPTION	DATE	APPROVED
		APPROVAL REVISIONS		SHEET 1 OF 2

Date Printed: 2022-03-03 at 15:47:45 EST
 Creator: Strawder, James
 Context: [Product]: Aerial
 Location: [Product]: Aerial/145000/145656/Sales Drawings
 Username: jchristner
 State: In Work
 Version: A.1

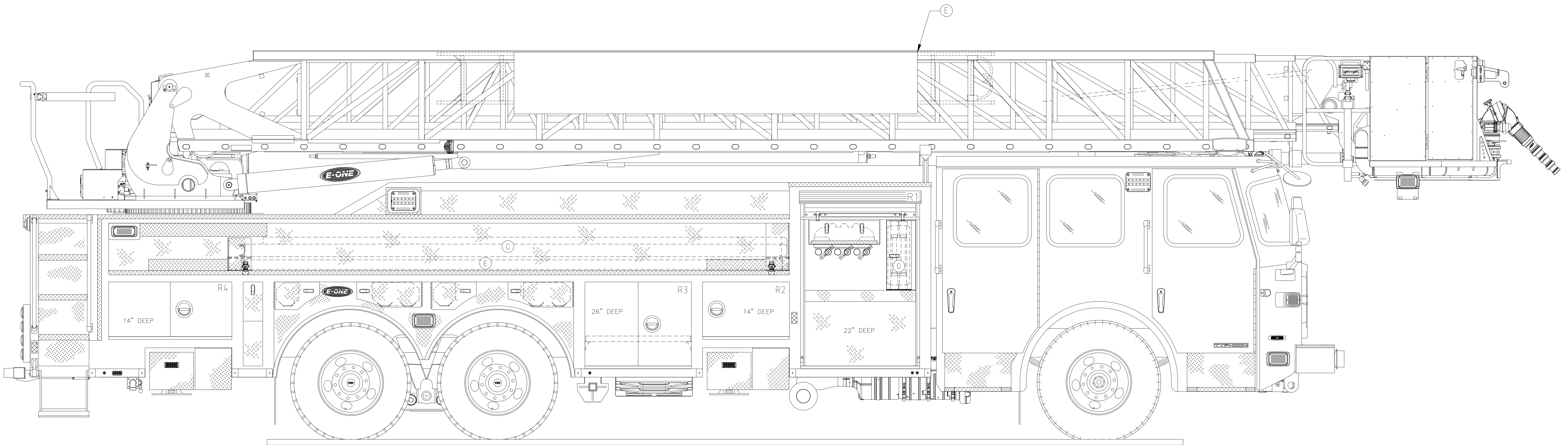
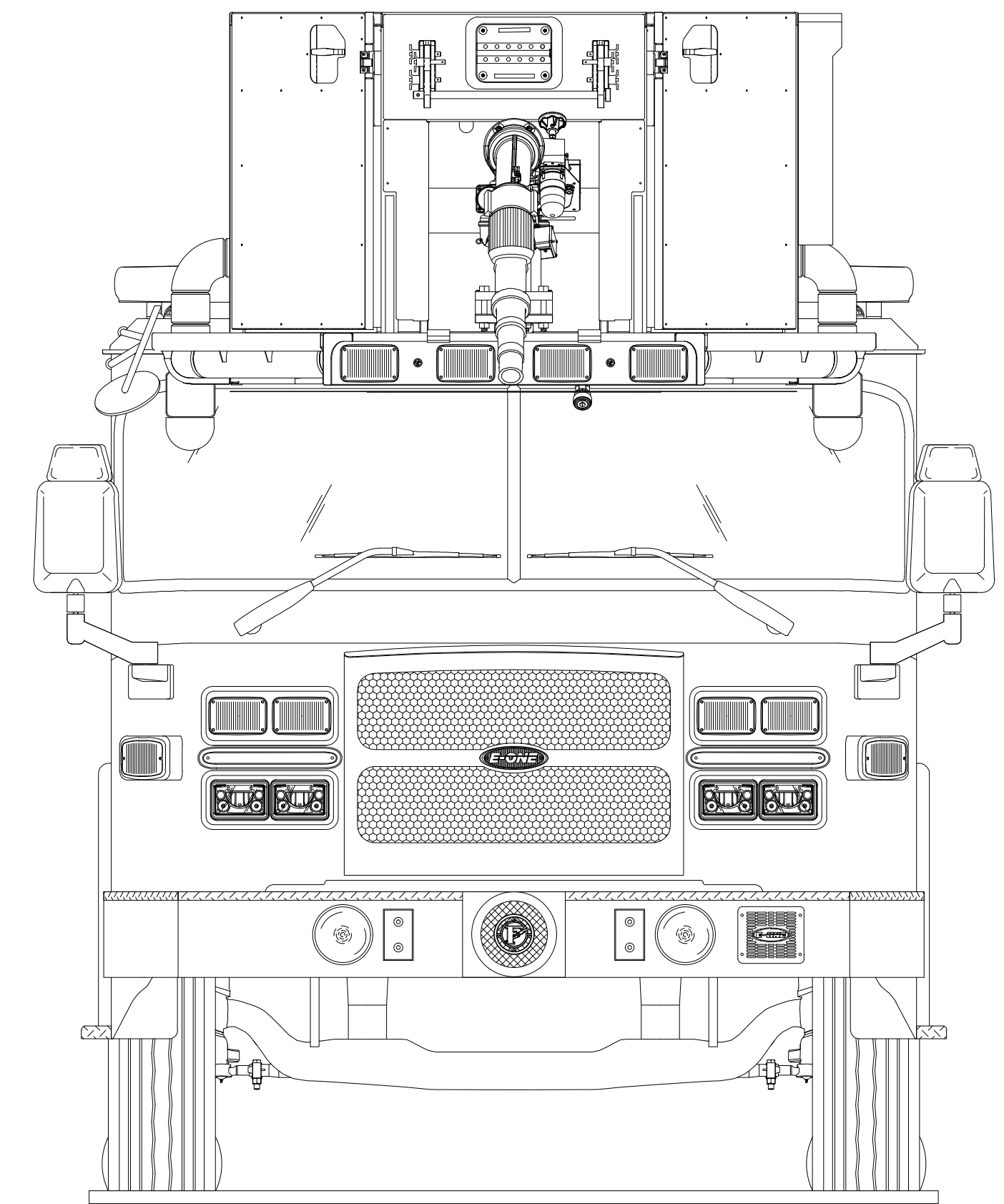


CITY OF NEWARK NEWARK, NJ

S0.145656/QUOTE 101594
AERM AERIAL BODY
E-ONE TYPHOON CHASSIS
95-PLATFORM AERIAL

THIS DRAWING IS FOR REFERENCE PURPOSES. ALL DIMENSIONS ARE
SUBJECT TO MINOR VARIATIONS DUE TO MANUFACTURING PROCESSES.

This print is the property of E-ONE, Inc. and is loaned to you
subject to return on demand, unless otherwise agreed to in writing by
E-ONE, Inc. Its contents are confidential and must not be
copied or submitted to third parties for use or examination.



STRANDER	A	INITIAL RELEASE	2022-MAR-01	STRANDER
DRAWN BY	REV	DESCRIPTION	DATE	APPROVED
		APPROVAL REVISIONS		SHEET 2 OF 2