

# SELAH FIRE DEPARTMENT

## SELAH, WA

S.O.145575/Q109778

### AERIAL BODY

### E-ONE TYPHOON CHASSIS

### HP78 AERIAL LADDER

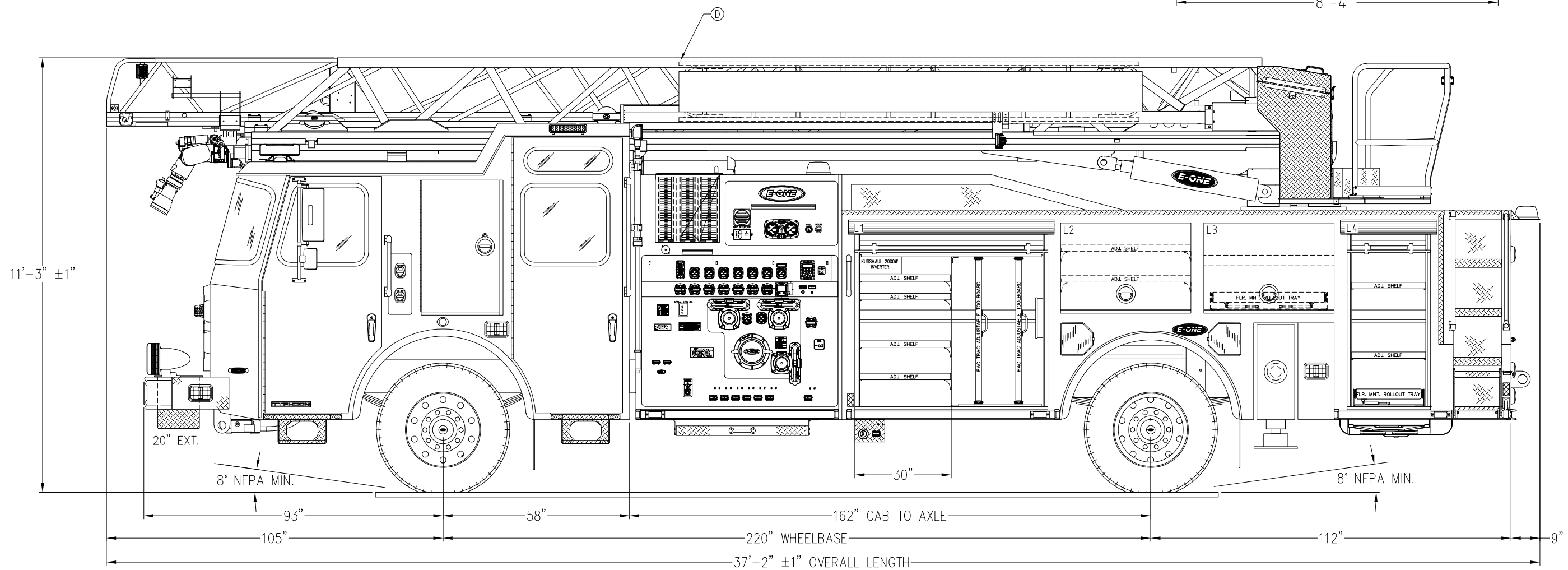
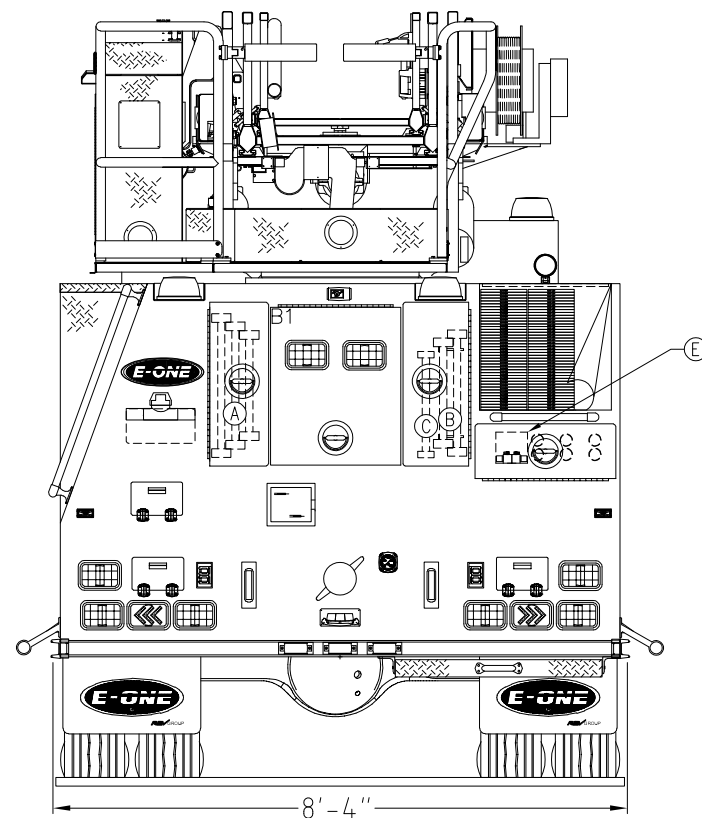
THIS DRAWING IS FOR REFERENCE PURPOSES. ALL DIMENSIONS ARE SUBJECT TO MINOR VARIATIONS DUE TO MANUFACTURING PROCESSES.

(FOR INTERNAL SALES PURPOSES ONLY)

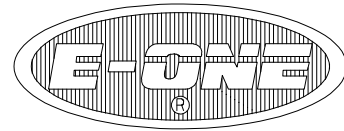
DEALER APPROVAL \_\_\_\_\_ DATE \_\_\_\_\_  AS IS

CUSTOMER APPROVAL \_\_\_\_\_ DATE \_\_\_\_\_  WITH REVISIONS

2000 GPM HALE QMAX PUMP				HOSE LOAD:			
450 GALLON WATER TANK				650' OF 5.00" LDH			
COMPT.	OPENING		INTERIOR DIMENSION				
L1	58W	48H	60W	31H	24D	UPPER	
			60W	26H	26D	LOWER	
L2	40W	27H	40W	27H	24D		
L3	40W	27H	40W	12H	24D	UPPER	
			40W	12H	24D	LOWER	
L4	24W	48H	26W	27H	24D	UPPER	
			26W	26H	26D	LOWER	
R1	58W	48H	60W	31H	24D	UPPER	
			60W	26H	26D	LOWER	
R2	47W	26H	45W	26H	26D		
B1	45W	28H	TURNTABLE ACCESS ONLY				
GROUND LADDERS							
ITEM	LADDER LENGTH	MODEL NUMBER	QTY				
A	35' 3-SECT.	PEL3-35	1				
B	28' 2-SECT.	PEL-28	1				
C	16' ROOF	PRL-16	1				
D	12' ROOF	DRL-12	1				
E	10' FOLDING	FL-10	1				



MNAVETTA	E.2	DRAWING UPDATE	2023-NOV-16	MNAVETTA
DRAWN BY	REV	DESCRIPTION	DATE	APPROVED
		PROPOSAL REVISIONS		SHEET 1 OF 2



# SELAH FIRE DEPARTMENT

## SELAH, WA

S.O.145575/Q109778  
AERIAL BODY  
E-ONE TYPHOON CHASSIS  
HP78 AERIAL LADDER

THIS DRAWING IS FOR REFERENCE PURPOSES. ALL DIMENSIONS ARE SUBJECT TO MINOR VARIATIONS DUE TO MANUFACTURING PROCESSES.

(FOR INTERNAL SALES PURPOSES ONLY)

DEALER APPROVAL \_\_\_\_\_

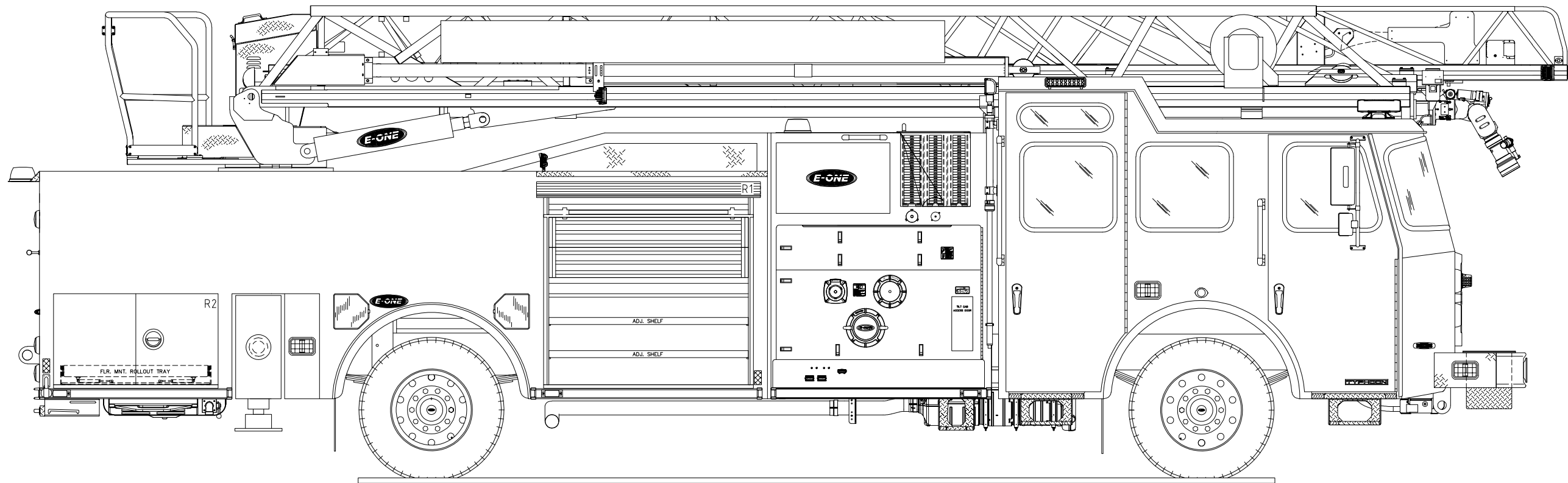
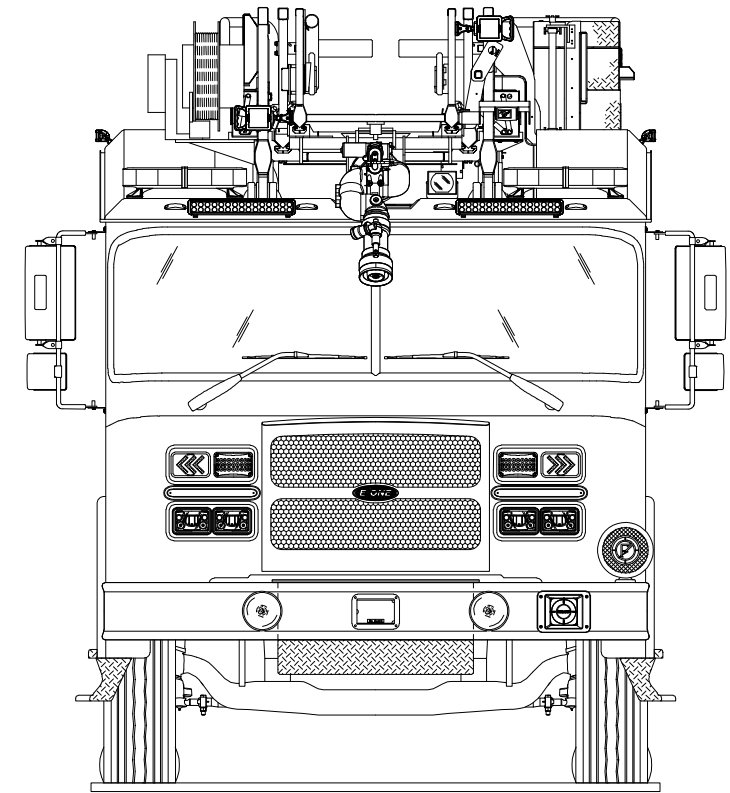
DATE \_\_\_\_\_

AS IS

CUSTOMER APPROVAL \_\_\_\_\_

DATE \_\_\_\_\_

WITH REVISIONS



MNAVETTA	E.2	DRAWING UPDATE	2023-NOV-16	MNAVETTA
DRAWN BY	REV	DESCRIPTION	DATE	APPROVED
		PROPOSAL REVISIONS		SHEET 2 OF 2