

BLOOMSBURG FIRE DEPT. BLOOMSBURG, PA

S.O. 144711 / QUOTE 105859

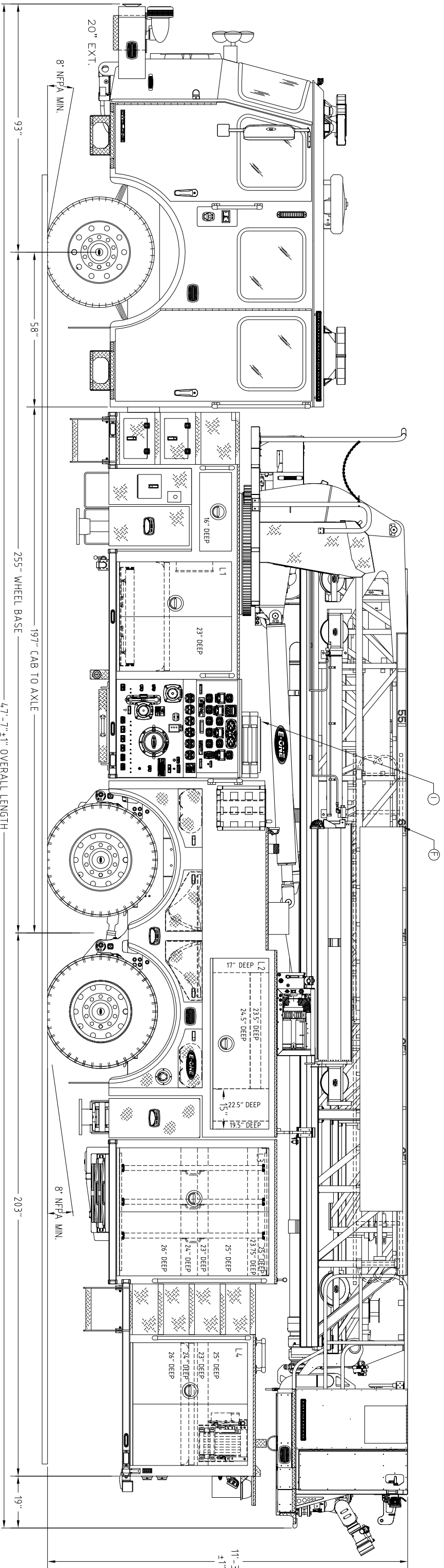
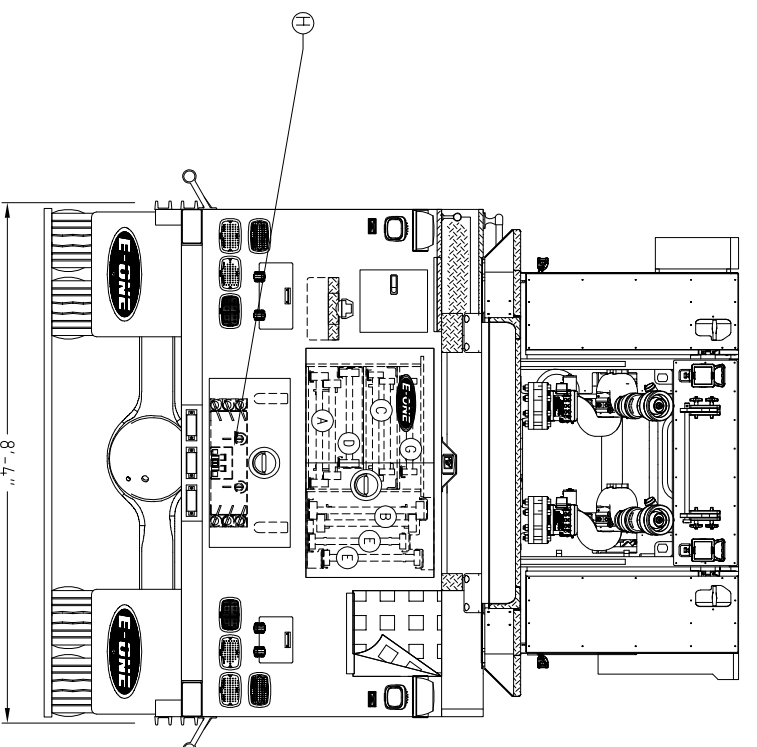
AERIAL BODY
E-ONE CYCLONE CHASSIS
HP95 MID-MOUNT PLATFORM

THIS DRAWING IS FOR REFERENCE PURPOSES. ALL DIMENSIONS ARE SUBJECT TO MINOR VARIATIONS DUE TO MANUFACTURING PROCESSES.
(FOR INTERNAL SALES PURPOSES ONLY)

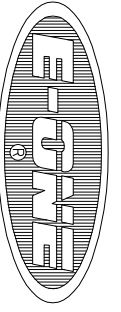
DEALER APPROVAL _____ DATE _____ AS IS
CUSTOMER APPROVAL _____ DATE _____ WITH REVISIONS

ITEM	DESCRIPTION	MODEL NUMBER	QTY
GROUND LADDERS			
A	35' 2-SECT.	PEL-35	1
B	28' 2-SECT.	PEL-28	1
C	24' 2-SECT.	PEL-24	1
D	20' ROOF	TRL-20	1
E	16' ROOF	PRL-16	2
F	16' ROOF	DRL-16	1
G	14' ROOF	PRL-14	1
H	10' FOLDING	FL-10	1
I	LITTLE GIANT	MODEL 17	1

300 G.P.M. HALF 8FCR PUMP	HOSE/LOAD:
300 GALLON WATER TANK	600' OF 5.00" LDH
COMP.:	INTERIOR DIMENSION
L1	41W 42H 41W 42H
R1	41W 42H 41W 42H
L2/R2	64W 21H 64W 21H
L3	48W 56H 48W 56H
R3	48W 56H 48W 56H
L4	46W 43H 46W 43H
R4	19W 31H 19W 31H
R5	46W 26H 46W 26H



DATE	BY	DESCRIPTION	DATE	APPROVED
2021-06-14	AS	DESIGN		
	REV	APPROVAL REVISIONS		



BLOOMSBURG FIRE DEPT. BLOOMSBURG, PA

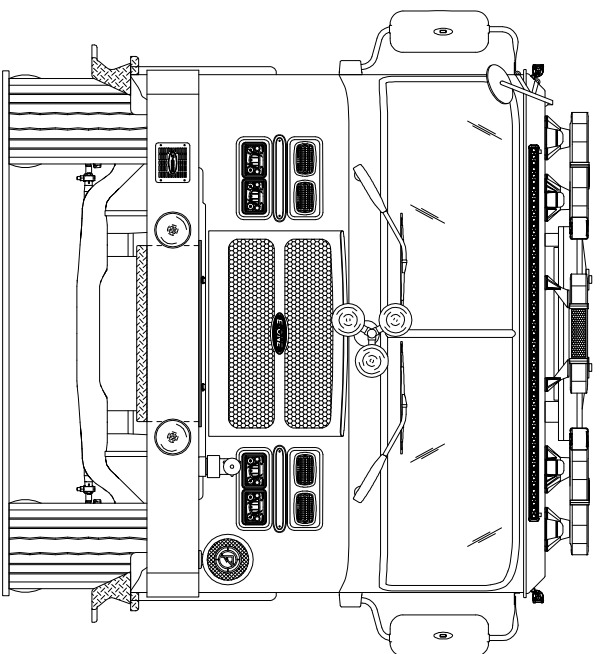
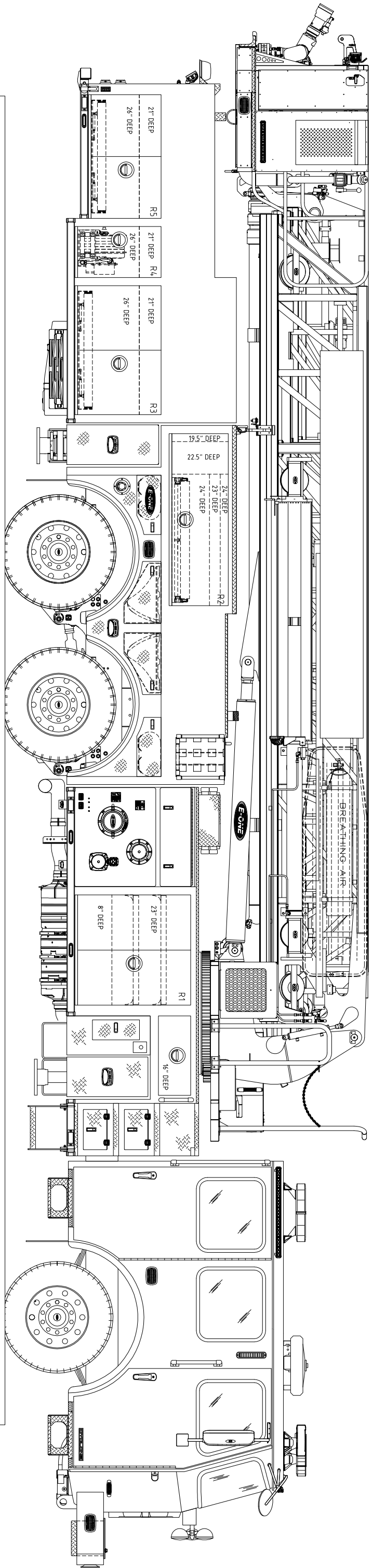
S.O. 144711 / QUOTE 105859

AERIAL BODY
E-ONE CYCLONE CHASSIS
HP95 MID-MOUNT PLATFORM

THIS DRAWING IS FOR REFERENCE PURPOSES. ALL DIMENSIONS ARE
SUBJECT TO MINOR VARIATIONS DUE TO MANUFACTURING PROCESSES.

(FOR INTERNAL SALES PURPOSES ONLY)

DEALER APPROVAL _____	DATE _____	<input type="checkbox"/> AS IS
CUSTOMER APPROVAL _____	DATE _____	<input type="checkbox"/> WITH REVISIONS



DATE	BY	REV	DESCRIPTION	DATE	BY	REV	DESCRIPTION
2021-06-14	DTALLMAN	1	APPROVED				
			APPROVAL REVISIONS				