

OCALA FIRE RESCUE OCALA, FL

S.O.145967/Q103854
AERIAL BODY W/ SIDE STACKER HOSEBED
E-ONE TYPHOON CHASSIS
HR100 LADDER

THIS DRAWING IS FOR REFERENCE PURPOSES. ALL DIMENSIONS ARE SUBJECT TO MINOR VARIATIONS DUE TO MANUFACTURING PROCESSES.

(FOR INTERNAL SALES PURPOSES ONLY)

DEALER APPROVAL _____

DATE _____

AS IS

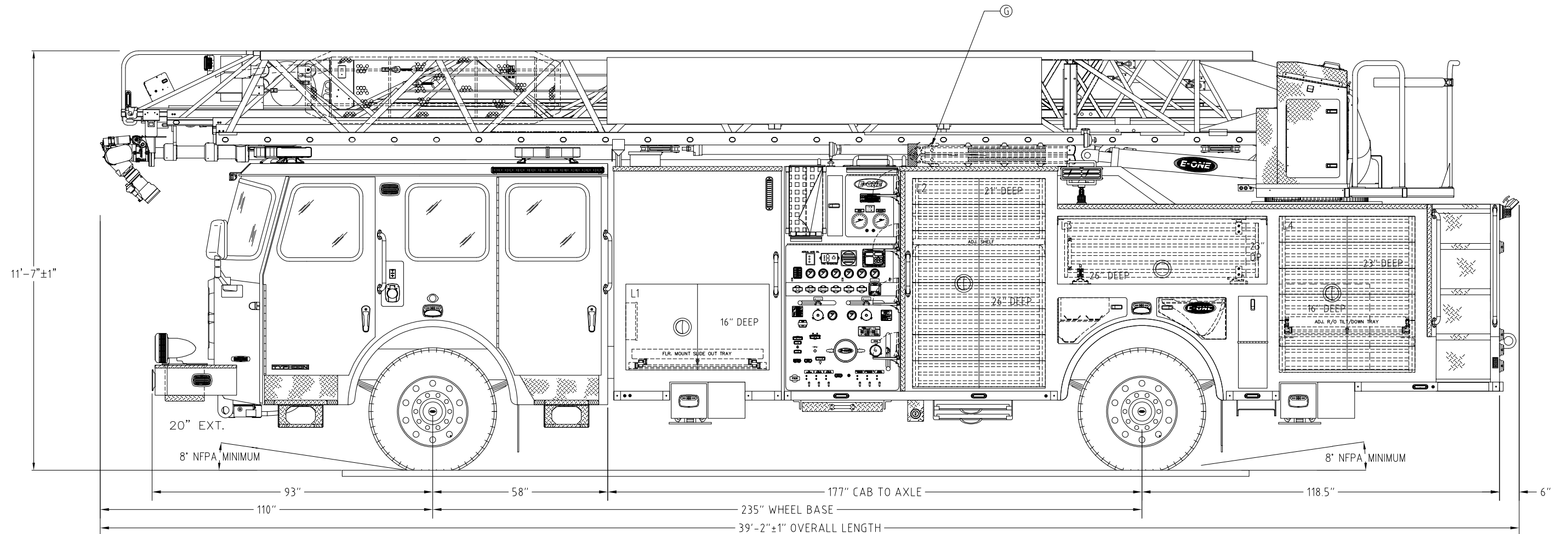
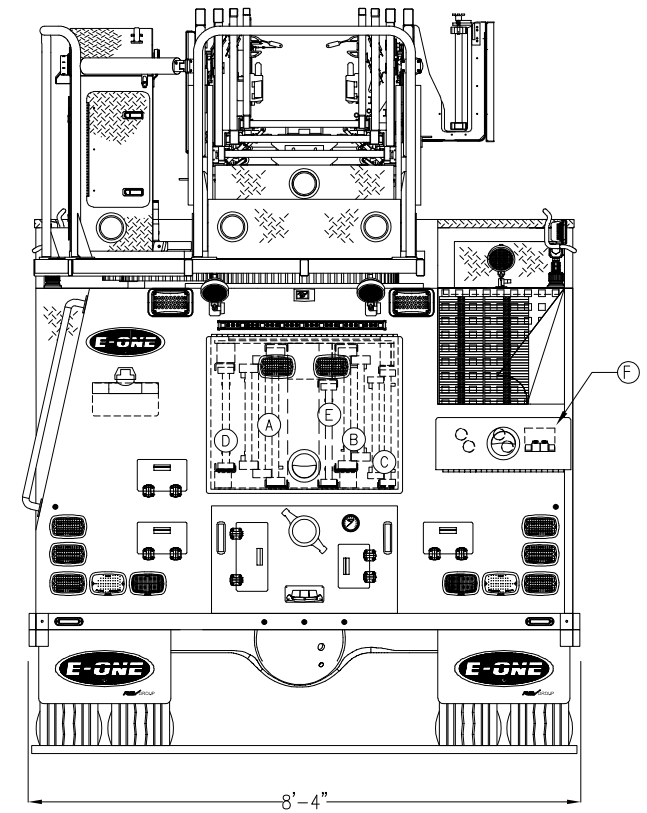
CUSTOMER APPROVAL _____

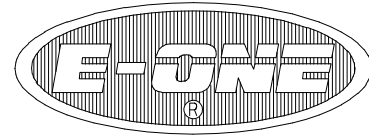
DATE _____

WITH REVISIONS

1500 GPM HALE DSD PUMP 500 GALLON WATER TANK		HOSE LOAD: 650' OF 5.00" LDH				
COMPT.	OPENING		INTERIOR DIMENSION			
L1	47W	28H	47W	28H	16D	
R1	29W	28H	29W	28H	16D	
L2/R2	44W	69H	44W	10H 44W	21D 59H 26D	UPPER LOWER
L3	69W	23H	69W	23H	NOTED	
R3	25W	24H	25W	24H	16D	
L4	45W	51H	45W	23H 45W	23D 28H	UPPER NOTED LOWER
R4	40W	27H	40W	27H	23D	
OS1	14W	63H	14W	63H	23D	
GROUND LADDERS						
ITEM	LADDER LENGTH	MODEL NUMBER	QTY			
A	35' 3-SECT.	PEL3-35	1			
B	28' 2-SECT.	PEL-28	1			
C	24' 2-SECT.	PEL-24	1			
D	16' ROOF	PRL-16	1			
E	14' ROOF	PRL-14	2			
F	10' FOLDING	FL-10	1			
G	LITTLE GIANT	MODEL 17	1			

ONE ON AERIAL

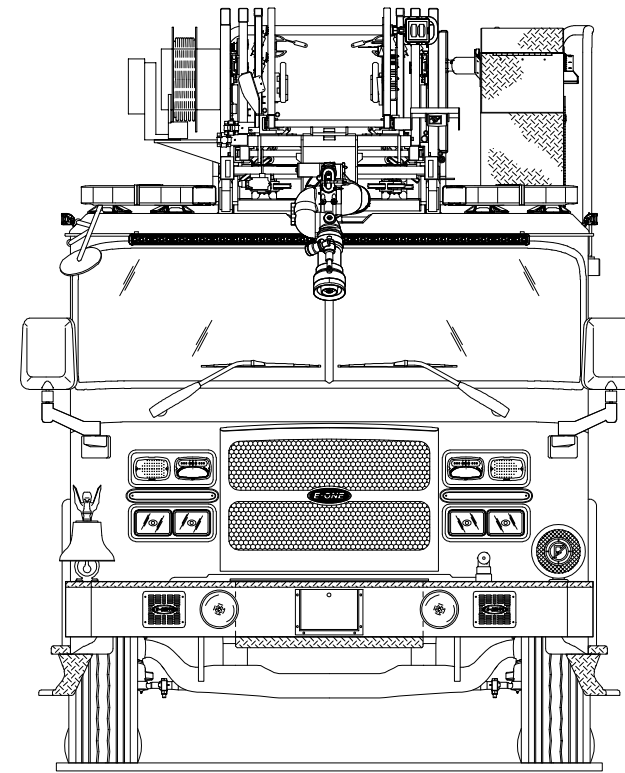




OCALA FIRE RESCUE OCALA, FL

S.O.145967/Q103854

AERIAL BODY W/ SIDE STACKER HOSEBED
E-ONE TYPHOON CHASSIS
HR100 LADDER



THIS DRAWING IS FOR REFERENCE PURPOSES. ALL DIMENSIONS ARE SUBJECT TO MINOR VARIATIONS DUE TO MANUFACTURING PROCESSES.

(FOR INTERNAL SALES PURPOSES ONLY)

DEALER APPROVAL _____

DATE _____

AS IS

CUSTOMER APPROVAL _____

DATE _____

WITH REVISIONS

