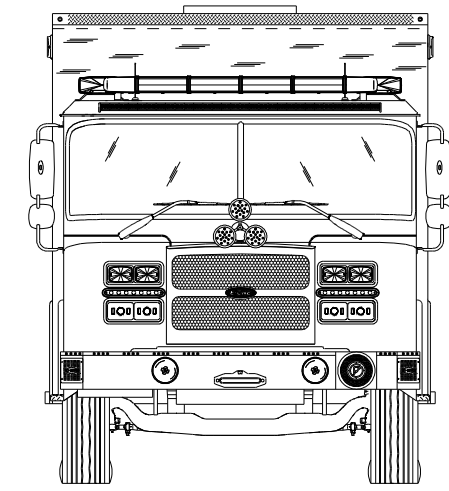
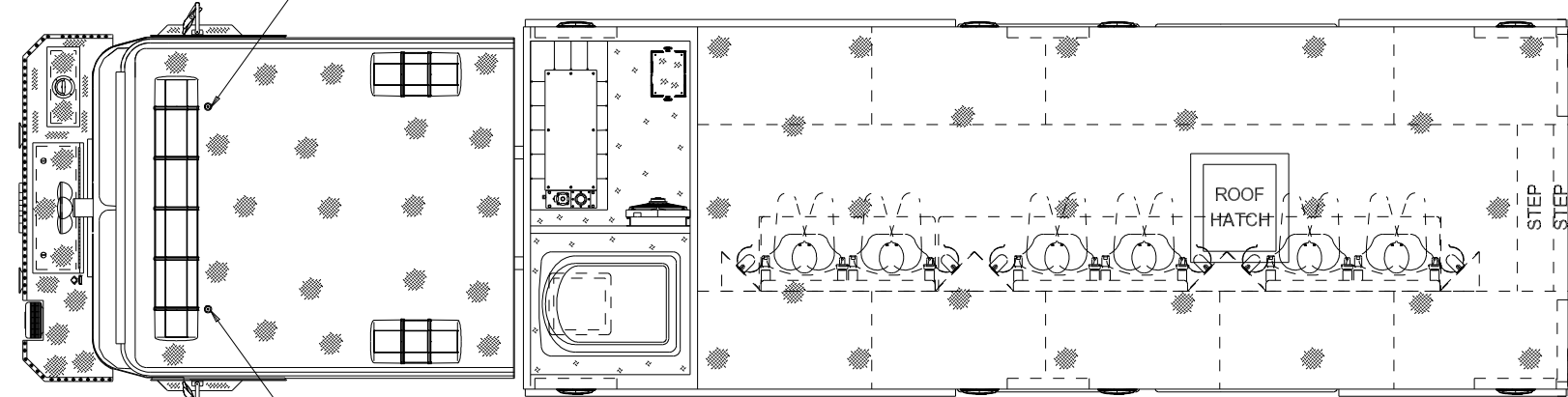


OFFICER SIDE VIEW

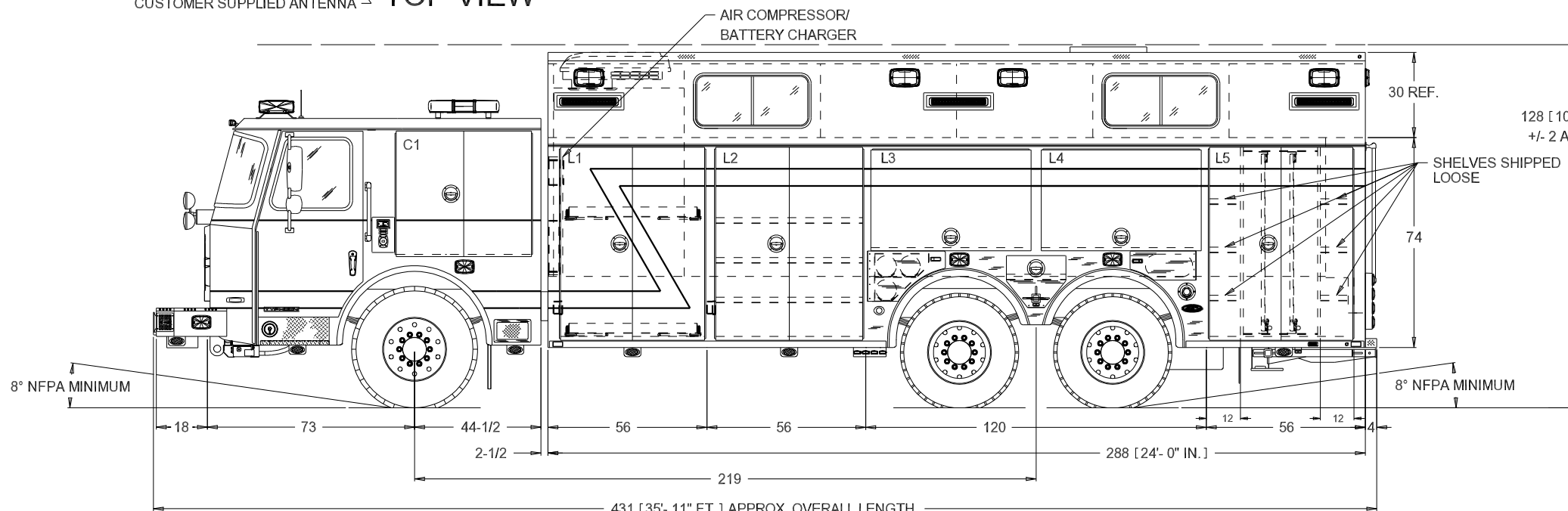


FRONT VIEW

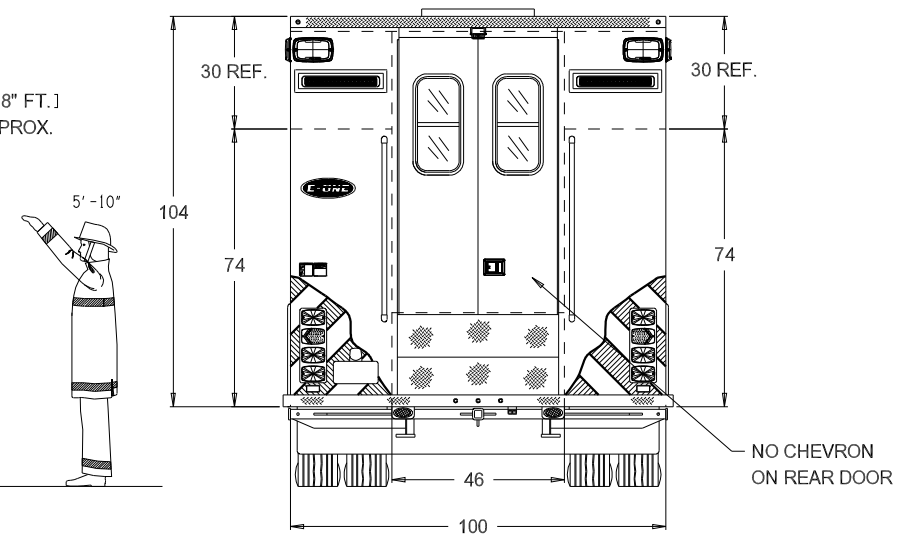


TOP VIEW

| COMPARTMENT DIMENSIONS | | |
|------------------------|-----------------------------|---------------------------------------|
| COMPT. | CLEAR DOOR OPENING (W x H): | COMPARTMENT INTERIOR (W x H x LD/UD): |
| L1 | 47-1/2"W x 63-1/2"H | 52"W x 70"H x 27"D |
| L2 | 48-1/2"W x 63-1/2"H | 56"W x 70"H x 27"D |
| L3 | 51-1/2"W x 28-1/4"H | 60"W x 38-3/4"H x 27"D |
| L4 | 51-1/2"W x 28-1/4"H | 60"W x 38-3/4"H x 27"D |
| L5 | 47-1/2"W x 63-1/2"H | 52"W x 70"H x 27"D |
| R1 | 47-1/2"W x 63-1/2"H | 52"W x 70"H x 27"D |
| R2 | 48-1/2"W x 63-1/2"H | 60"W x 38-3/4"H x 27"D |
| R3 | 51-1/2"W x 28-1/4"H | 60"W x 38-3/4"H x 27"D |
| R4 | 51-1/2"W x 28-1/4"H | 60"W x 38-3/4"H x 27"D |
| R5 | 47-1/2"W x 63-1/2"H | 52"W x 70"H x 27"D |
| C1 | 44-1/2"W x 38"H | 48-1/2"W x 44-1/4"H x WIDTH OF CAB |
| C2 | 44-1/2"W x 38"H | 48-1/2"W x 44-1/4"H x WIDTH OF CAB |



DRIVERS SIDE VIEW



REAR VIEW

THIS DRAWING IS FOR REFERENCE PURPOSES. ALL DIMENSIONS ARE SUBJECT TO MINOR VARIATIONS DUE TO MANUFACTURING PROCESSES.

This print is the property of E-ONE, Inc. and is loaned to you subject to return on demand, unless otherwise agreed to in writing by E-ONE, Inc. Its contents are confidential and must not be copied or submitted to third parties for use or examination.

SALES REFERENCE ONLY

| REV. | REVISION NOTE / CO#. | DATE: | DRAWN BY: |
|------|---|--------|-----------|
| - | INITIAL DRAWING TO MATCH QUOTE REV. 23 | 052121 | R.S. |
| A | REVISED TO MATCH QUOTE REV. 43 | 062421 | R.S. |
| B | QUOTE REV. 48, CHANGED DOORS TO D-RING | 063021 | JDP |
| C | REVISED TO MATCH QUOTE REV. 56 | 081221 | R.S. |
| D | REVISED TO MATCH QUOTE REV. 66 | 102021 | R.H. |
| E | TURNED INTO JOB ORDER (REF Q110746) & ORDER SCRUB QREV 89 | 020322 | R.H. |
| F | REVISED PER PRE-BUILD CR'S QREV 125 | 052722 | R.H. |
| G | REVISED PER ADDITIONAL CR'S QREV 142 | 083022 | R.H. |
| H | REVISED PER ACTION ITEMS | 120622 | R.H. |
| J | REVISED FRAME CUT DIMENSION | 051623 | R.H. |
| K | REVISED PER CHANGE ORDER | 071823 | R.H. |
| L | REVISED PARTITION LOCATION IN R2 | 091323 | R.H. |

| | |
|---------------------------------------|------------------------------------|
| Tolerance: Lin: ±.50" Ang: ±50° | Units: Inches [mm Imports Only] |
| Dealer: PATRIOT FIRE, LLC | Water Tank Capacity: - |
| GENERATOR: HARRISON 10KW MCR / IHT | Misc: - |
| Misc: - | Misc: - |



ORCHARD BEACH VOLUNTEER FIRE DEPT
SO. NO. 145584 (RSHW-TYPN)
HEAVY RESCUE WALK-IN
TYPHOON SHORT FLAT ROOF