

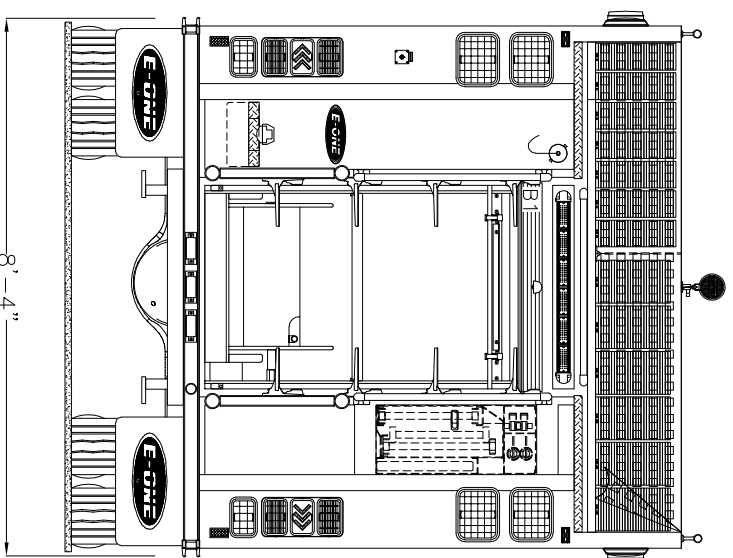
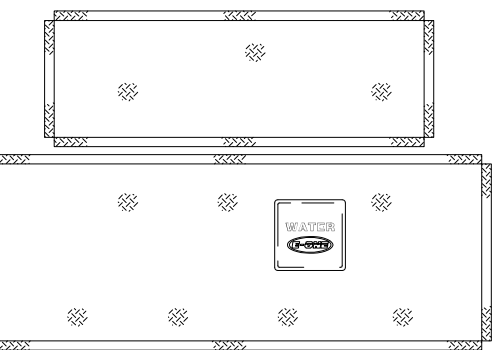
# COLUMBUS FIRE & EMS

## COLUMBUS GA

S.O. 145248-252 / Q113306

### PUMPER CYCLONE 4X2 CHASSIS

1500 GPM HALE OMAX PUMP	HOSE LOAD:
780 GALLON WATER TANK	1000' OF 3.00" DJ
	1000' OF 5.00" LDH
COMP.	INTERIOR DIMENSION
L1	34W 59H 3H 12D UPPER
R1	34W 59H 36W 26D LOWER
L2	54W 25H 36W 30H 12D UPPER
R2	54W 25H 56W 22H 12D LOWER
L3	48W 59H 36W 3H 12D FRONT UPPER
R3	48W 59H 14W 3H 10D FRONT LOWER
B1	36W 53H 36W 25H 14W 56H 24D REAR LOWER
	38W 69H 26D REAR LOWER

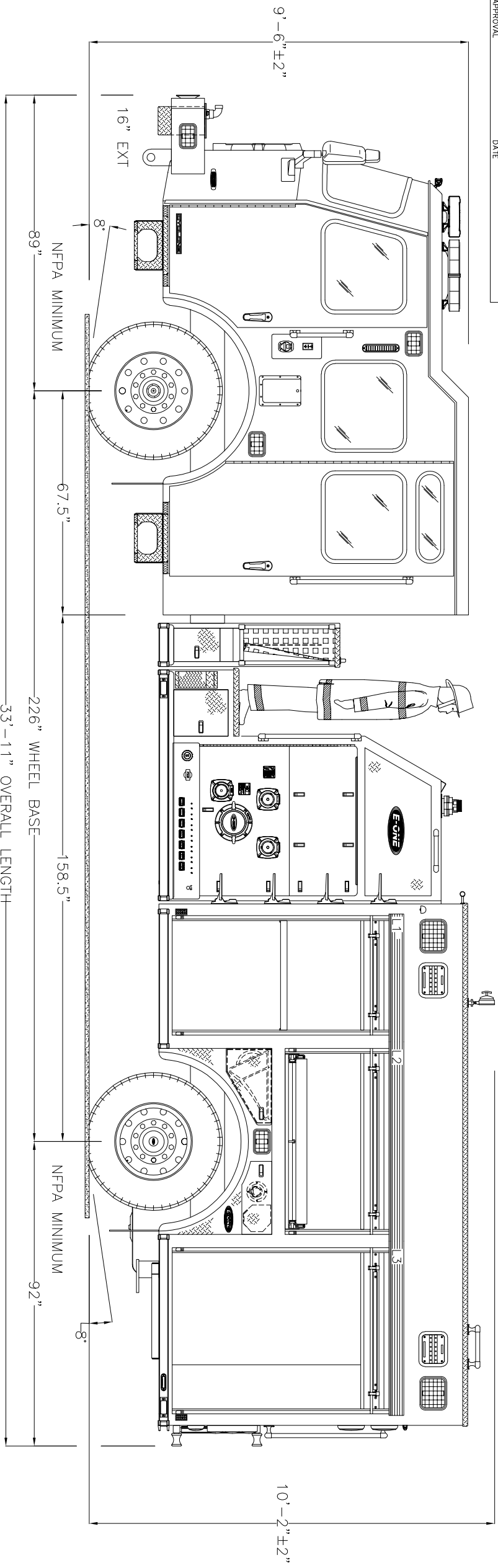


HOSEBED HEIGHT:  
(FOR REFERENCE ONLY)  
TO TAILBOARD: 74"  
TO GROUND: 98±2"

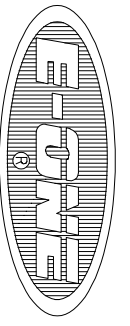
THIS DRAWING IS FOR REFERENCE PURPOSES. ALL DIMENSIONS ARE SUBJECT TO MINOR VARIATIONS DUE TO MANUFACTURING PROCESSES.  
(FOR INTERNAL SALES PURPOSES ONLY)

DEALER APPROVAL \_\_\_\_\_ DATE \_\_\_\_\_  AS IS

CUSTOMER APPROVAL \_\_\_\_\_ DATE \_\_\_\_\_  WITH REVISIONS



DATE	BY	REV	DESCRIPTION
201-05-22	AKB	1	ISSUE
201-05-22	AKB	2	APPROVAL



# COLUMBUS FIRE & EMS

COLUMBUS, GA  
S.O. 145248-252 / Q113306

PUMPER

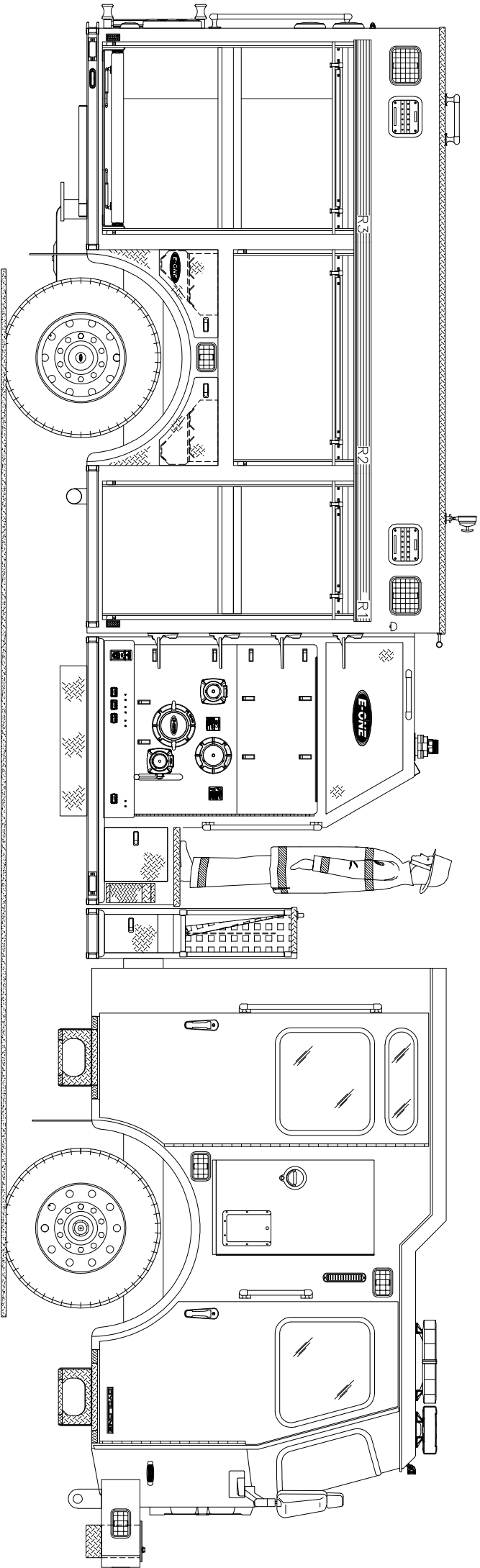
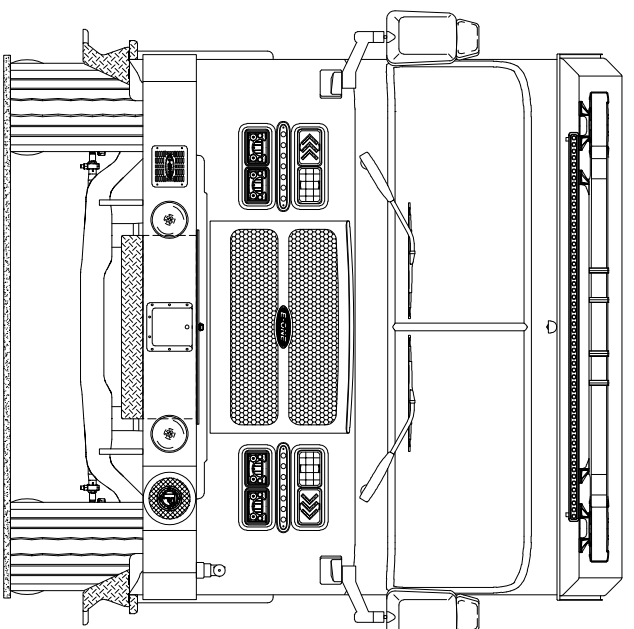
CYCLONE 4X2 CHASSIS

THIS DRAWING IS FOR REFERENCE PURPOSES. ALL DIMENSIONS ARE SUBJECT TO MINOR VARIATIONS DUE TO MANUFACTURING PROCESSES.

(FOR INTERNAL SALES PURPOSES ONLY)

DEALER APPROVAL \_\_\_\_\_ DATE \_\_\_\_\_  AS IS

CUSTOMER APPROVAL \_\_\_\_\_ DATE \_\_\_\_\_  WITH REVISIONS



DATE	BY	REVISION	DATE
201-05-12	APPROVED		
SHEET 2 OF 2			