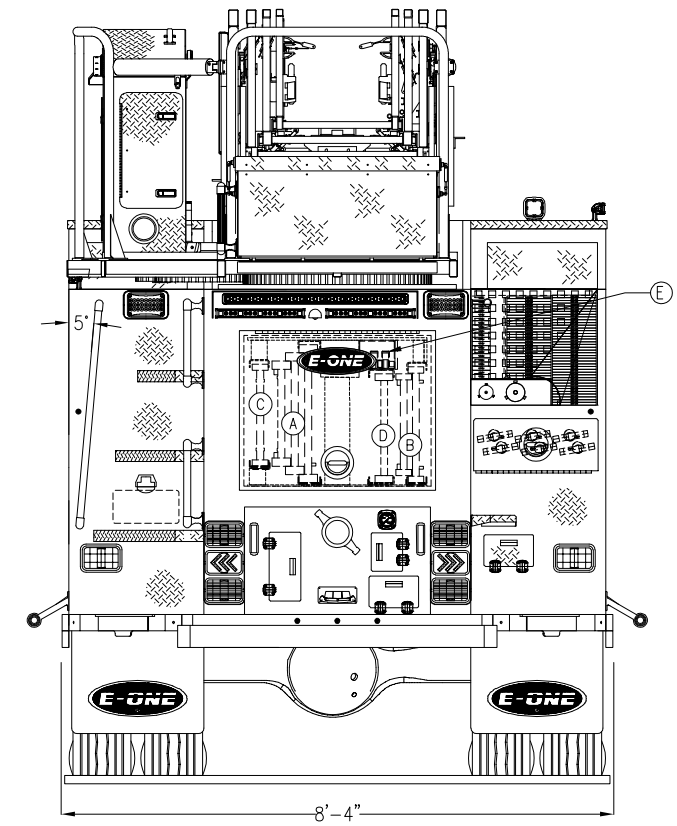


ST. AUGUSTINE ST. AUGUSTINE, FL

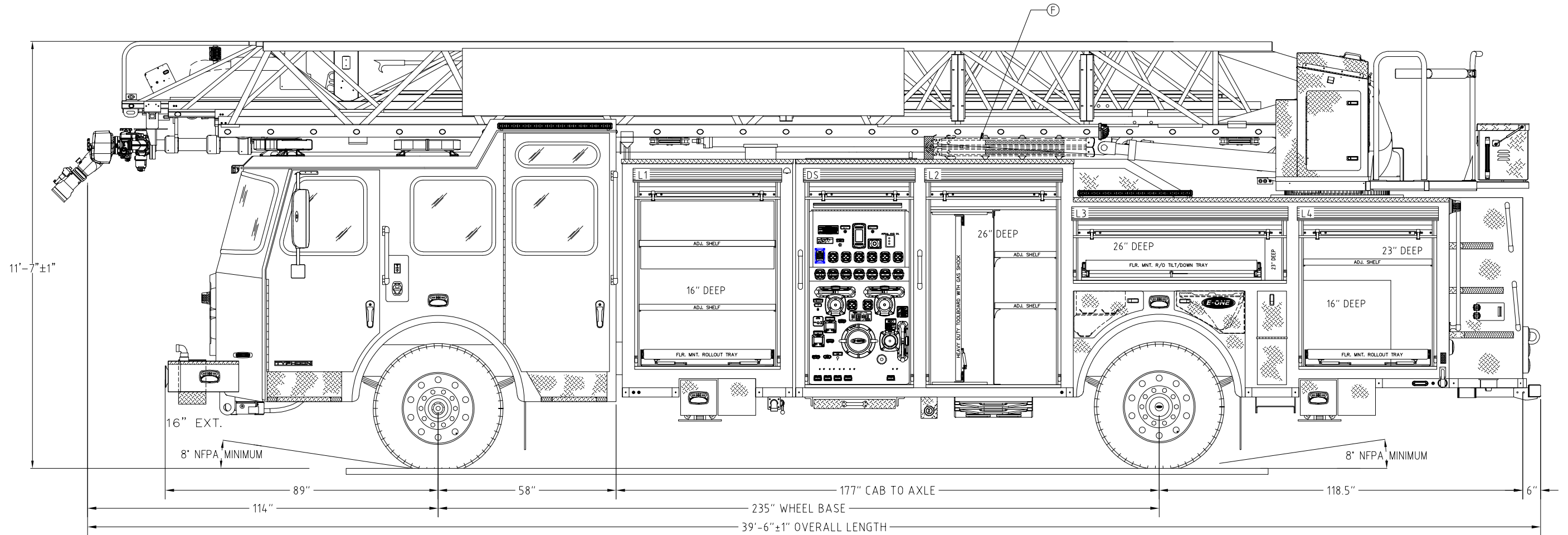
SO 145183/QUOTE 103139
AERIAL BODY W/ SIDE STACKER HOSEBED
E-ONE TYPHOON CHASSIS
HR100 LADDER

1500 GPM HALE DSD PUMP 300 GALLON WATER TANK		HOSE LOAD: 400' OF 5.00" LDH 200' OF 1.75" DJ			
COMPT.	OPENING		INTERIOR DIMENSION		
L1	45W	54H	47W	54H	16D
R1	45W	54H	47W	54H	NOTED
L2	42W	60H	44W	12H 21D	UPPER LOWER
R2	42W	60H	44W	12H 21D	UPPER LOWER
L3	67W	14H	69W	23H	NOTED
R3	45W	24H	45W	24H	NOTED
L4	43W	42H	45W 23H 23D	45W 28H	UPPER LOWER
GROUND LADDERS					
ITEM	LADDER LENGTH	MODEL NUMBER	QTY		
A	35' 3-SECT.	PEL3-35	1		
B	24' 2-SECT.	PEL-24	1		
C	16' ROOF	DRL-16	2 ONE ON AERIAL		
D	14' COMBINATION	35-B	1		
E	10' FOLDING	FL-10	1		
F	LITTLE GIANT	MODEL-17	1		

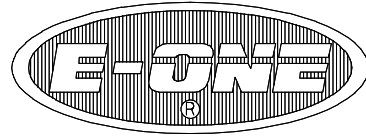


THIS DRAWING IS FOR REFERENCE PURPOSES. ALL DIMENSIONS ARE SUBJECT TO MINOR VARIATIONS DUE TO MANUFACTURING PROCESSES.

DEALER APPROVAL _____ DATE _____ AS IS
CUSTOMER APPROVAL _____ DATE _____ WITH REVISIONS



NAVETTA	E.2	DRAWING REVISION	2023-MAY-15	NAVETTA
DRAWN BY	REV	DESCRIPTION	DATE	APPROVED
		APPROVAL REVISIONS		SHEET 1 OF 2

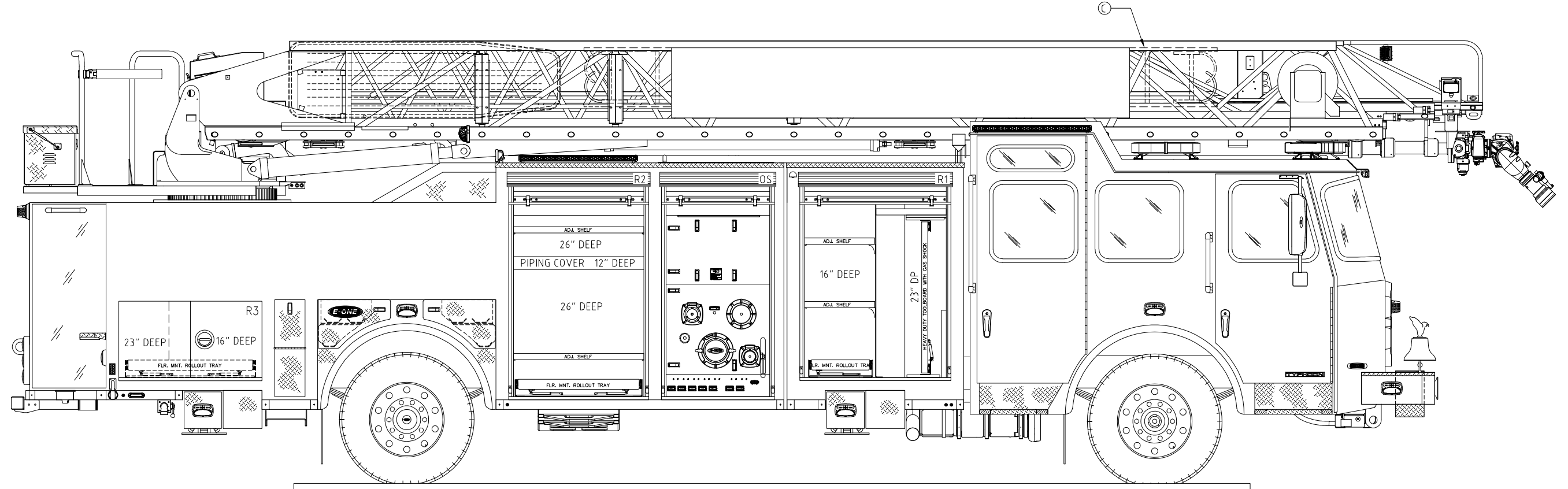
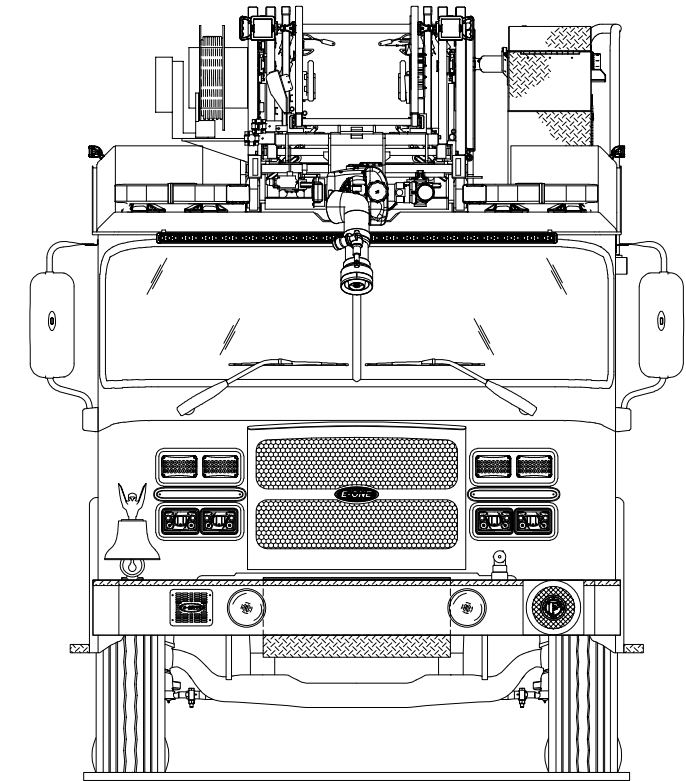


ST. AUGUSTINE ST. AUGUSTINE, FL

SO 145183/QUOTE 103139
AERIAL BODY W/ SIDE STACKER HOSEBED
E-ONE TYPHOON CHASSIS
HR100 LADDER

THIS DRAWING IS FOR REFERENCE PURPOSES. ALL DIMENSIONS ARE
SUBJECT TO MINOR VARIATIONS DUE TO MANUFACTURING PROCESSES.

DEALER APPROVAL _____ DATE _____ AS IS
CUSTOMER APPROVAL _____ DATE _____ WITH REVISIONS



DATE	REV	DESCRIPTION	DATE	APPROVED
2023-MAY-15	E.2	DRAWING REVISION		NAVETTA
		APPROVAL REVISIONS		