

# CREE NATION NEMASKA

## NEMASKA, QC

S.O. 145144 / QUOTE 111205

### E-ONE TYPHOON CHASSIS HP75 AERIAL LADDER

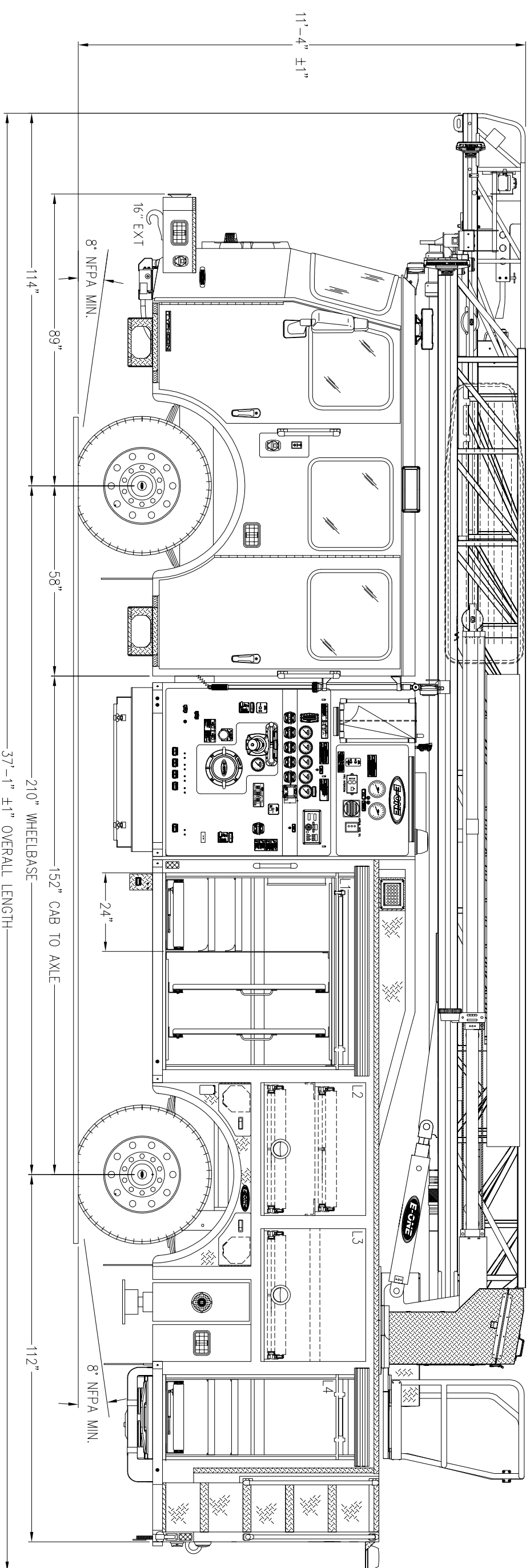
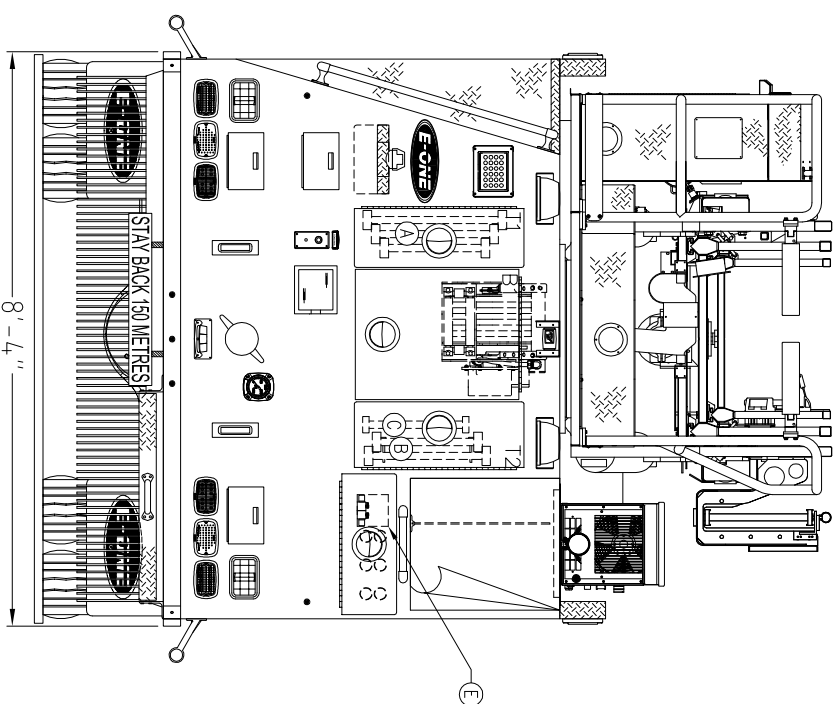
THIS DRAWING IS FOR REFERENCE PURPOSES. ALL DIMENSIONS ARE SUBJECT TO MINOR VARIATIONS DUE TO MANUFACTURING PROCESSES.

This print is the property of E-ONE, Inc. and is loaned to you subject to return on demand, unless otherwise agreed to in writing by E-ONE, Inc. Its contents are confidential and must not be copied or submitted to third parties for use or examination.

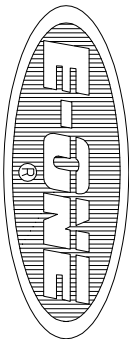
COMPT.	OPENING	INTERIOR DIMENSION	HOSE LOAD:
L1	58W	52H	6000 LPM HALE QMAX PUMP 500 GALLON WATER TANK
L2	40W	31H	NFPA COMPLIANT
L3	40W	31H	
L4	24W	52H	
R1	58W	52H	
R2	47W	26H	
B1	21W	28H	
T1	10W	28H	
T2	11W	28H	
T3	23W	9H	

#### GROUND LADDERS

ITEM	LADDER LENGTH	MODEL NUMBER	QTY
A	35' 3-SECT.	PEL3-35	1
B	28' 2-SECT.	PEL-28	1
C	16' ROOF	PRL-16	1
D	14' ROOF	PRL-14	1
E	10' FOLDING	FL-10	1



DATE	BY	REVISION	DATE	BY	REVISION
2021-09-22	ATV	INITIAL RELEASE	2021-09-21	ATV	DATE
2021-09-21	ATV	PROPOSAL	2021-09-21	ATV	DATE
2021-09-21	ATV	PROPOSAL	2021-09-21	ATV	DATE



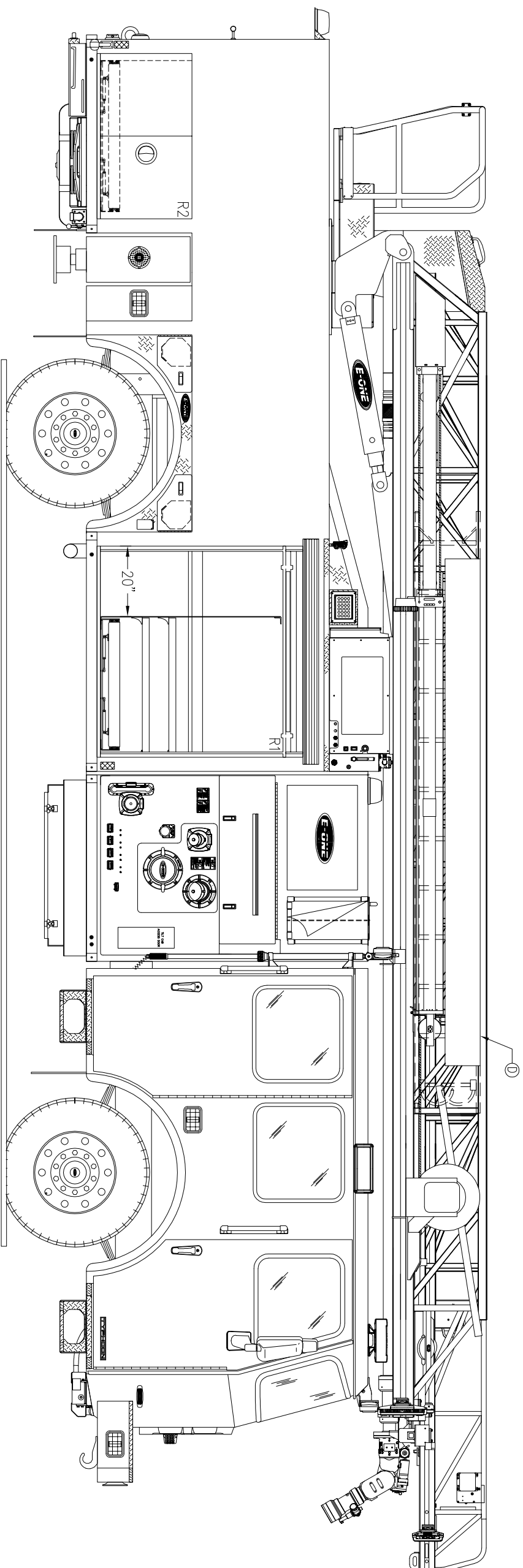
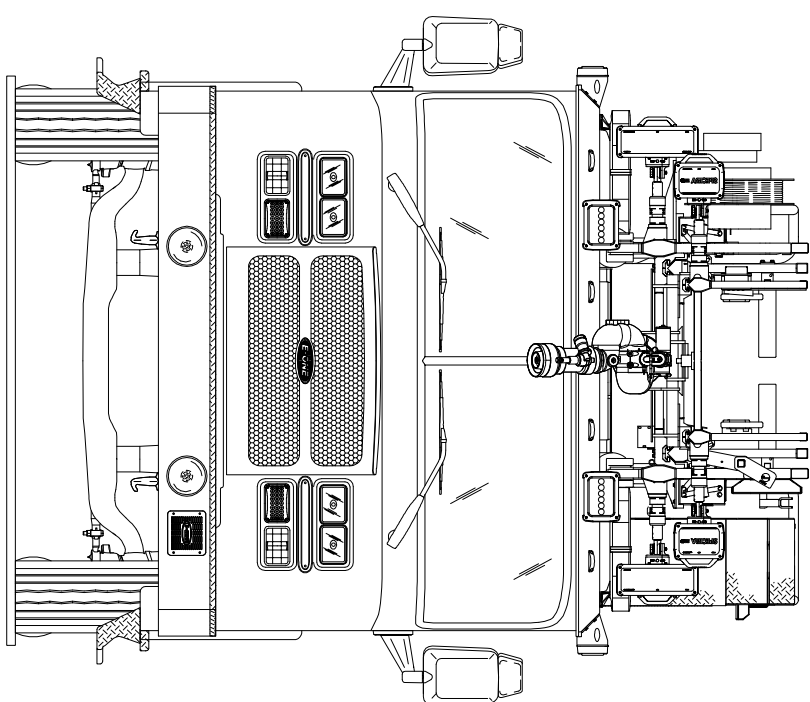
# CREE NATION NEMASKA

## NEMASKA, QC

S.O. 145144 / QUOTE 111205  
AERIAL BODY  
E-ONE TYPHOON CHASSIS  
HP75 AERIAL LADDER

THIS DRAWING IS FOR REFERENCE PURPOSES. ALL DIMENSIONS ARE SUBJECT TO MINOR VARIATIONS DUE TO MANUFACTURING PROCESSES.

This print is the property of E-ONE, Inc. and is loaned to you subject to return on demand, unless otherwise agreed to in writing by E-ONE, Inc. Its contents are confidential and must not be copied or submitted to third parties for use or examination.



DATE	BY	INITIAL RELEASE	DATE	DATE	DATE
DRAWN 07	REV	PROPOSAL REVISIONS			