

# CITY OF MONTGOMERY MONTGOMERY, AL

S0.144959-960/Q110149  
AERM AERIAL BODY  
E-ONE CYCLONE CHASSIS  
92-P AERIAL

THIS DRAWING IS FOR REFERENCE PURPOSES. ALL DIMENSIONS ARE SUBJECT TO MINOR VARIATIONS DUE TO MANUFACTURING PROCESSES.

(FOR INTERNAL SALES PURPOSES ONLY)

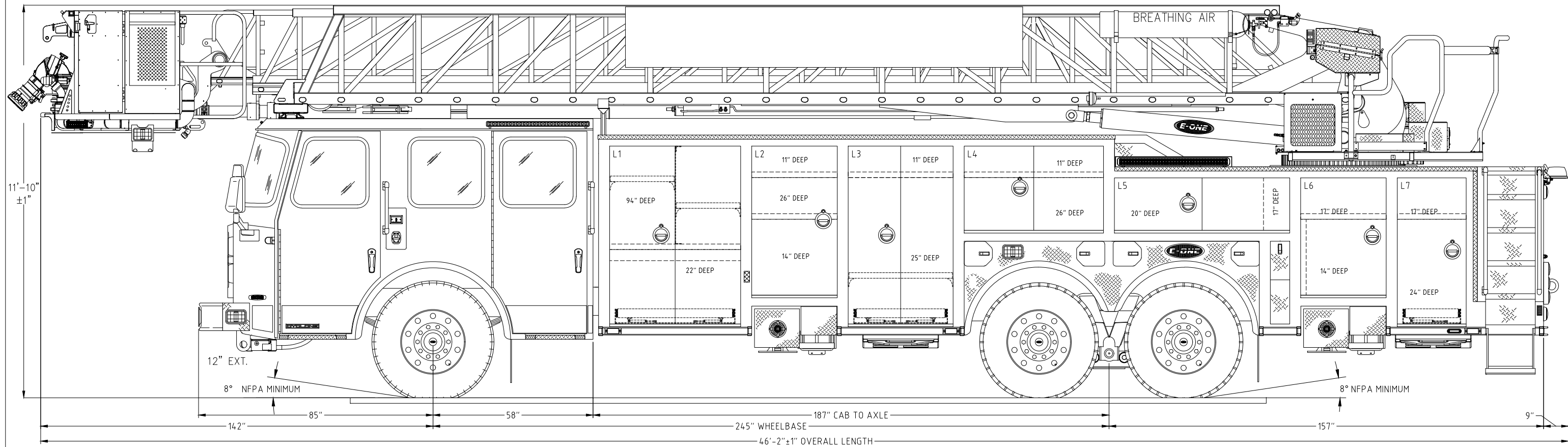
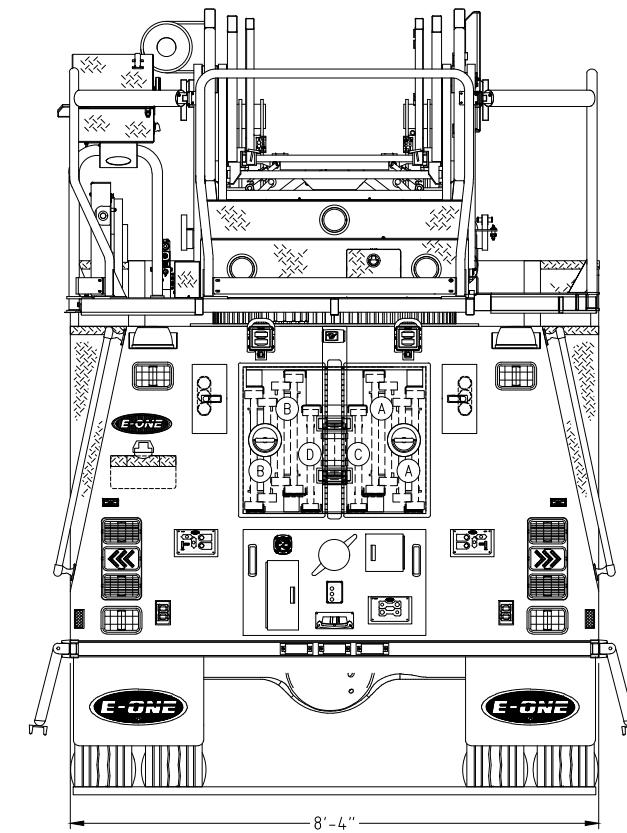
DEALER APPROVAL \_\_\_\_\_ DATE \_\_\_\_\_  AS IS

CUSTOMER APPROVAL \_\_\_\_\_ DATE \_\_\_\_\_  WITH REVISIONS

COMPT.	OPENING		INTERIOR DIMENSION			
L1/R1	47W	64H	47W	40H	94D	UPPER
			47W	27H	NOTED	LOWER
L2/R2	31W	54H	31W	26H	NOTED	UPPER
			31W	27H	NOTED	LOWER
L3/R3	38W	64H	38W	11H	11D	UPPER
			38W	53H	NOTED	LOWER
L4/R4	50W	30H	50W	11H	11D	UPPER
			50W	19H	NOTED	LOWER
L5/R5	63W	19H	63W	19H	NOTED	
L6/R6	31W	42H	31W	15H	17D	UPPER
			29W	27H	14D	LOWER
L7/R7	25W	53H	25W	15H	17D	UPPER
			25W	38H	24D	LOWER

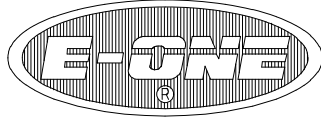
### GROUND LADDERS

ITEM	LADDER LENGTH	MODEL NUMBER	QTY	
A	35' 2-SECT.	PEL-35	2	
B	28' 2-SECT.	PEL-28	2	
C	20' ROOF	PRL-20	1	
D	16' ROOF	PRL-16	2	ONE ON AERIAL
E	10' FOLDING	FL-10	1	ON AERIAL



STRAMER	A	89P	2021-JULY-01	STRAMER
DRAWN BY	REV	DESCRIPTION	DATE	APPROVED
		APPROVAL REVISIONS		

Date Printed: 2021-07-14 at 10:14:47 EDT Username: dtallman  
 Creator: Strawder, James Version: A.6 State: Released  
 Context: Aerial Location: /Default/144000/144959/Sales Drawings



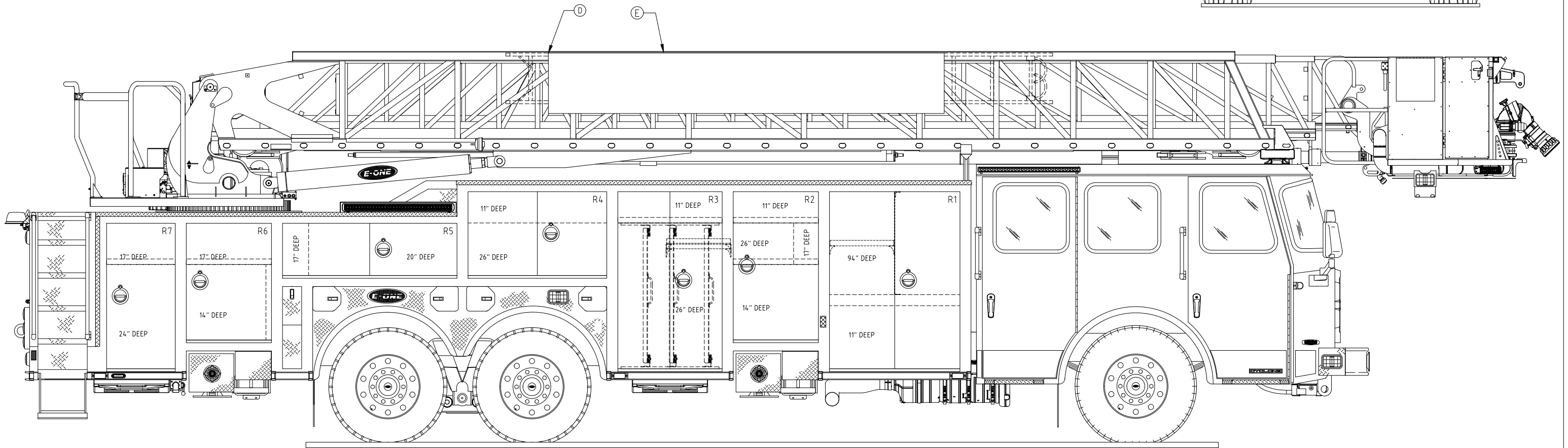
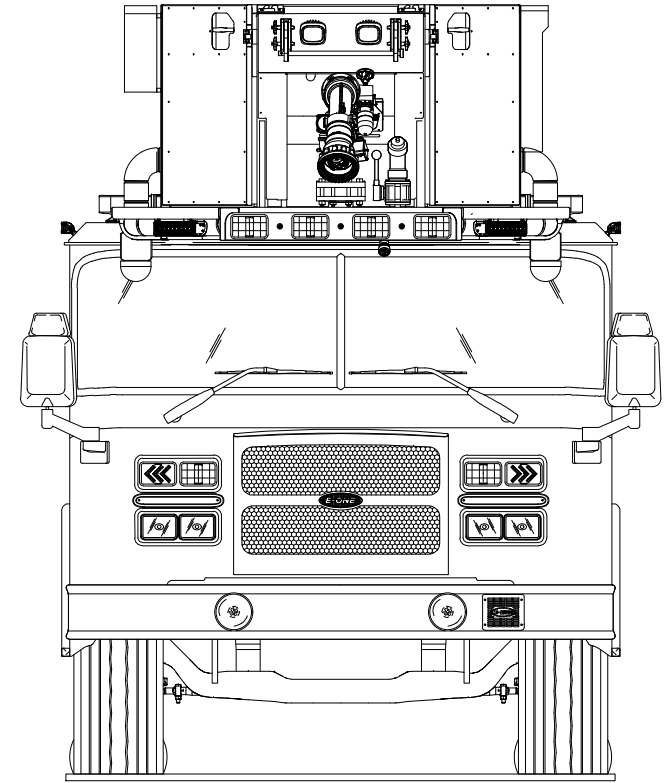
# CITY OF MONTGOMERY MONTGOMERY, AL

S0.144959-960/Q110149  
AERM AERIAL BODY  
E-ONE CYCLONE CHASSIS  
92-P AERIAL

THIS DRAWING IS FOR REFERENCE PURPOSES. ALL DIMENSIONS ARE  
SUBJECT TO MINOR VARIATIONS DUE TO MANUFACTURING PROCESSES.

(FOR INTERNAL SALES PURPOSES ONLY)

DEALER APPROVAL \_\_\_\_\_ DATE \_\_\_\_\_  AS IS  
CUSTOMER APPROVAL \_\_\_\_\_ DATE \_\_\_\_\_  WITH REVISIONS



STRAMER	A	RFP	2021-JULY-01	STRAMER
DRAWN BY	REV	DESCRIPTION	DATE	APPROVED
APPROVAL REVISIONS				SHEET 2 OF 2

Date Printed: 2021-07-14 at 10:14:47 EDT Username: dtallman  
 Creator: Strawder, James Version: A.6 State: Released  
 Context: Aerial Location: /Default/144000/144959/Sales Drawings