



BOROUGH OF RARITAN

RARITAN, NJ

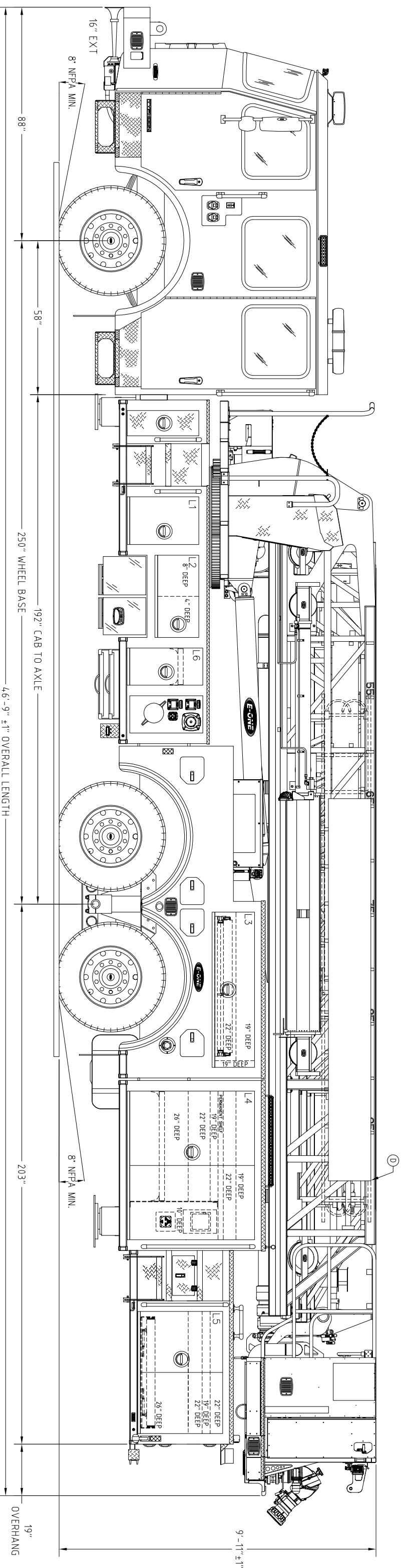
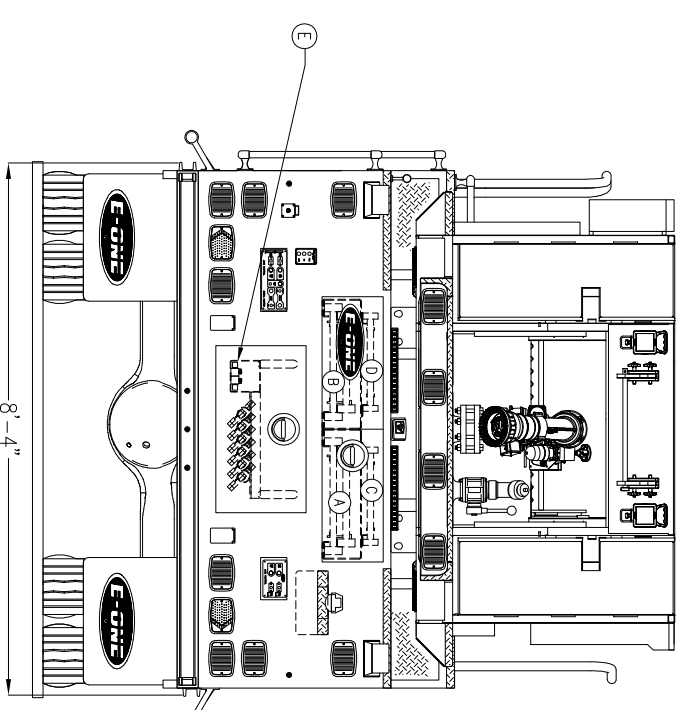
S.O. 14459 / QUOTE 104616

AERIAL BODY
E-ONE TYPHOON CHASSIS
HP95MM AERIAL LADDER

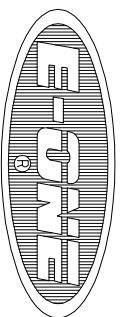
THIS DRAWING IS FOR REFERENCE PURPOSES. ALL DIMENSIONS ARE SUBJECT TO MINOR VARIATIONS DUE TO MANUFACTURING PROCESSES.

This print is the property of E-ONE, Inc. and is loaned to you subject to return on demand, unless otherwise agreed to in writing by E-ONE, Inc. Its contents are confidential and must not be copied or submitted to third parties for use or examination.

COMP.T.	OPENING	INTERIOR DIMENSION	
L1	18W 26H	OIL RESERVOIR	
R1	18W 26H	18W 26H 8D	
L2/R2	31W 15H	31W 15H NOTED	
L3/R3	58W 15H	58W 15H NOTED	
L4/R4	56W 47H	56W 25H NOTED 56W 22H NOTED 56W 26D LOWER	
R5	19W 31H	19W 15H NOTED 19W 18H NOTED 19W 28D LOWER	
L5/R6	46W 31H	46W 13H NOTED 46W 18H NOTED 46W 28D LOWER	
L6/R7	14W 27H	14W 27H 22D	
GROUND LADDERS			
ITEM	LADDER LENGTH	MODEL NUMBER	QTY
A	35' 2-SECT.	PEL-35	1
B	28' 2-SECT.	PEL-28	1
C	20' ROOF	DRL-20	1
D	16' ROOF	DRL-16	2 ON AERIAL
E	10' FOLDING	FL-10	1



QUEST	DATE	DESCRIPTION
QUEST	2021-MAR-23	QUEST
DRAWN BY	REV	APPROVAL REVISIONS
DATE	APPROVED	SHEET 1 OF 2



BOROUGH OF RARITAN

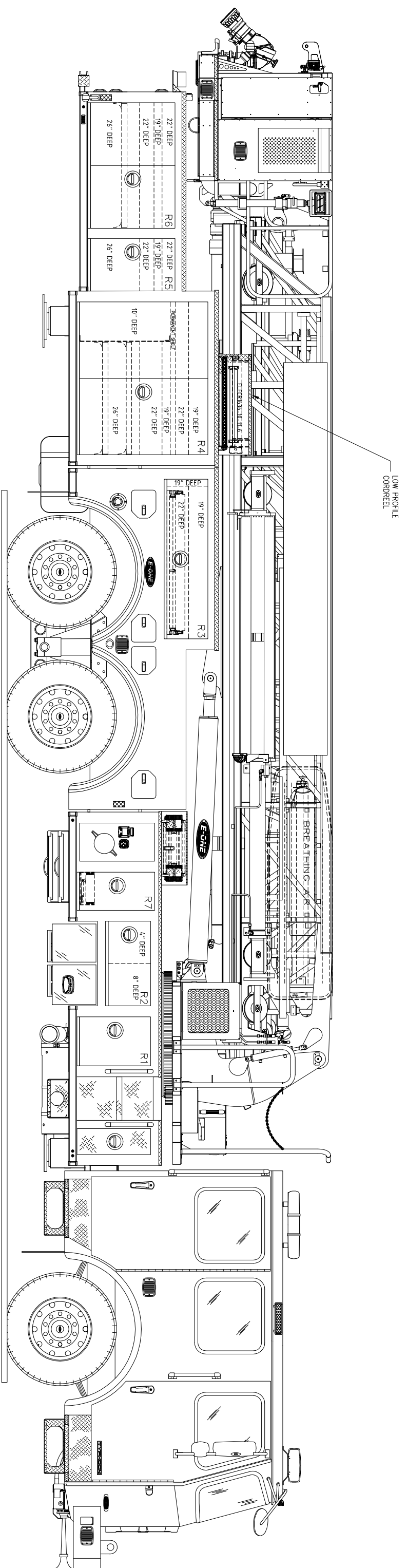
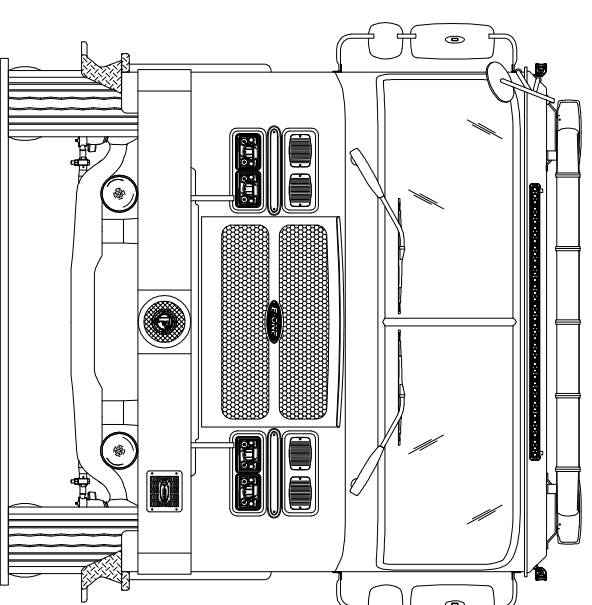
RARITAN, NJ

S.O. 144559 / QUOTE 104616

AERIAL BODY
 E-ONE TYPHOON CHASSIS
 HP95MM AERIAL LADDER

THIS DRAWING IS FOR REFERENCE PURPOSES. ALL DIMENSIONS ARE SUBJECT TO MINOR VARIATIONS DUE TO MANUFACTURING PROCESSES.

This print is the property of E-ONE, Inc. and is loaned to you subject to return on demand, unless otherwise agreed to in writing by E-ONE, Inc. Its contents are confidential and must not be copied or submitted to third parties for use or examination.



QUOTE	13	POST REVISION	2021-04-23	DATE
DRAWN BY	REV	DESCRIPTION	DATE	APPROVED
		APPROVAL REVISIONS		SHEET 2 OF 2