

EAST PEORIA FIRE DEPT

EAST PEORIA, IL

SI45070 / Q111755
PUMPER
SPARTAN FC-94 4X2

1500 WATEROUS CSU PUMP	HOSE LOAD:
780 GALLON POLY WATER TANK	NFPA CAPACITY

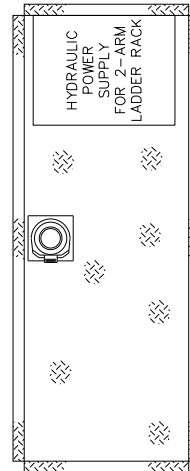
COMPT.	OPENING	INTERIOR DIMENSION				
L1/R1	58W 59H	60W 3H 12D	UPPER			
		60W 56H 26D	LOWER			
L2/R2	54W 25H	56W 3H 12D	UPPER			
		56W 22H 26D	LOWER			
L3/R3	54W 59H	42W 3H 12D	FRONT UPPER			
		42W 56H 26D	FRONT LOWER			
		14W 3H 10D	REAR UPPER			
		14W 56H 24D	REAR LOWER			
B1	35W 42H	38W 58H	26D			

THIS DRAWING IS FOR REFERENCE PURPOSES. ALL DIMENSIONS ARE SUBJECT TO MINOR VARIATIONS DUE TO MANUFACTURING PROCESSES.

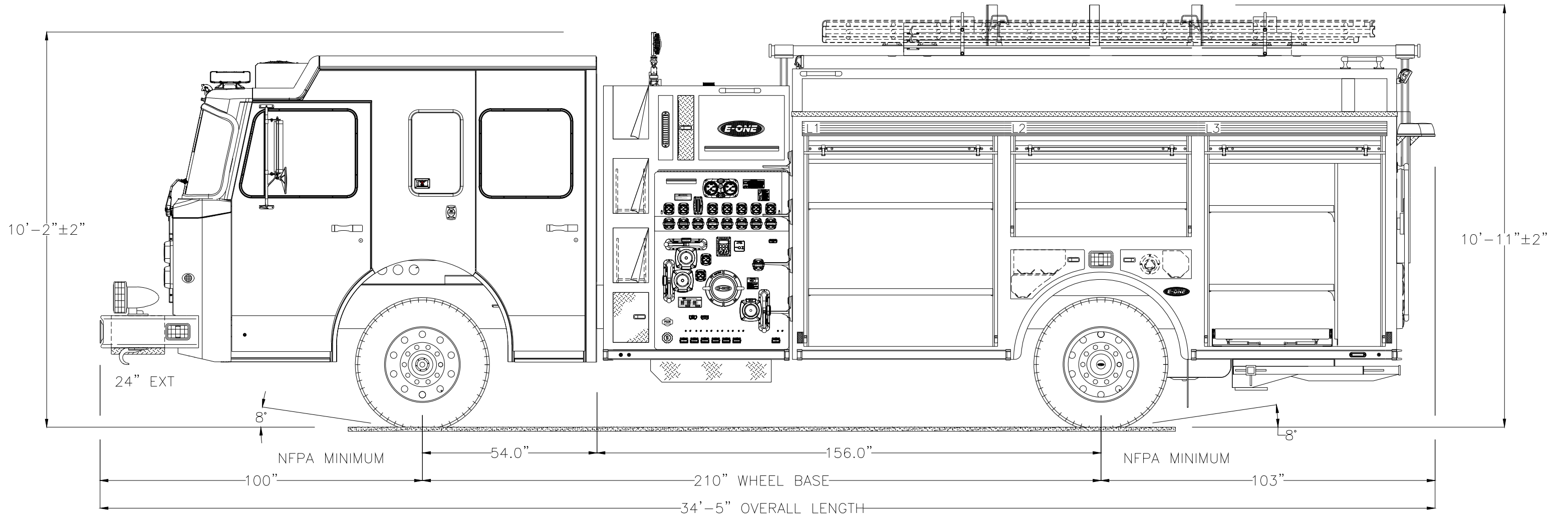
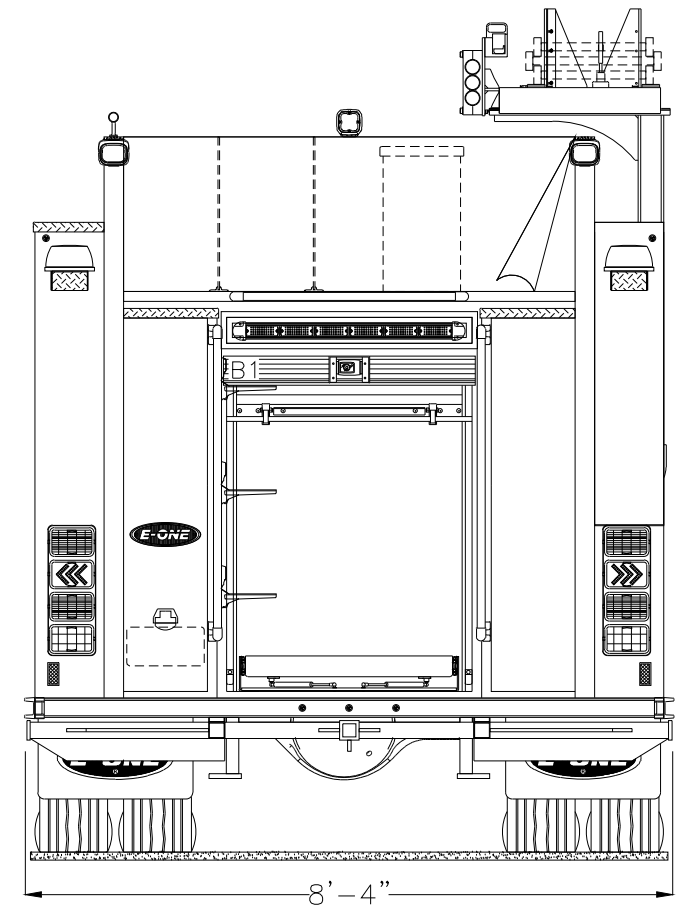
(FOR INTERNAL SALES PURPOSES ONLY)

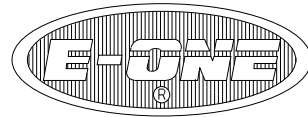
DEALER APPROVAL _____ DATE _____ AS IS

CUSTOMER APPROVAL _____ DATE _____ WITH REVISIONS



HOSEBED HEIGHT:
(FOR REFERENCE ONLY)
TO TAILBOARD: 63"
TO GROUND: 87±2"





EAST PEORIA FIRE DEPT
EAST PEORIA, IL
SI45070 / Q111755
PUMPER
SPARTAN FC-94 4X2

THIS DRAWING IS FOR REFERENCE PURPOSES. ALL DIMENSIONS ARE SUBJECT TO MINOR VARIATIONS DUE TO MANUFACTURING PROCESSES.

(FOR INTERNAL SALES PURPOSES ONLY)

DEALER APPROVAL _____ DATE _____ AS IS
 CUSTOMER APPROVAL _____ DATE _____ WITH REVISIONS

