



LINVILLE VOL. FIRE DEPT.

LINVILLE NC

S.O. 144506 / QUOTE 101660

PUMPER

TYPHOON 4X4 CHASSIS

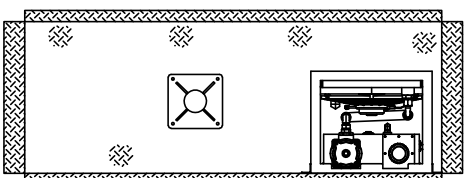
1500 GPM E-ONE PUMP	HOSE LOAD:
1000 GALLON WATER TANK	1000' OF 5.00" LDH
30 GALLON INTEGRAL CLASS "A" FOAM	400' OF 3.00" DJ
	200' OF 2.50" DJ

COMP.	OPENING	INTERIOR DIMENSION	PUMP PANEL	FRONT
L1	58W 59H	34W 34H	3H	12D REAR UPPER
R1	58W 59H	24W 26H	56H	12D REAR LOWER
L2	54W 25H	60W 31H	26D	12D LOWER
R2	31W 25H	56W 22H	26D	12D LOWER
L3	54W 59H	33W 25H	3H	12D UPPER
R3	54W 59H	56W 25H	56H	26D LOWER
B1	36W 46H	56W 30H	26D	12D UPPER
		38W 20H	25D	12D LOWER

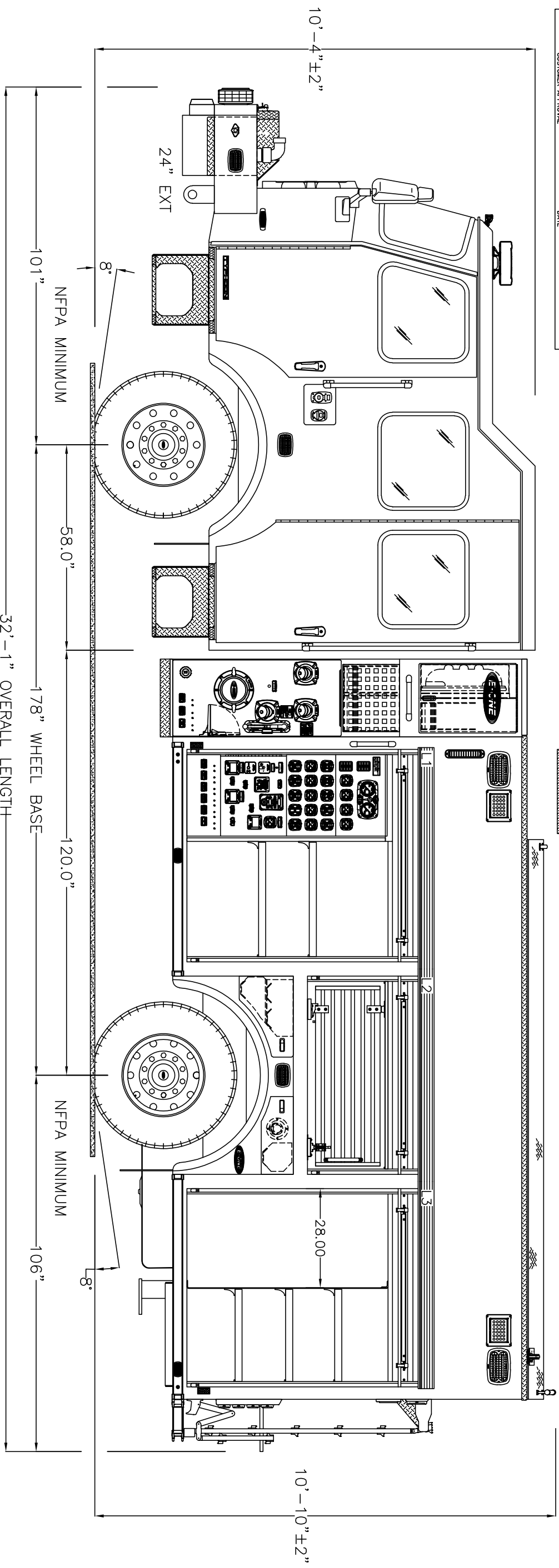
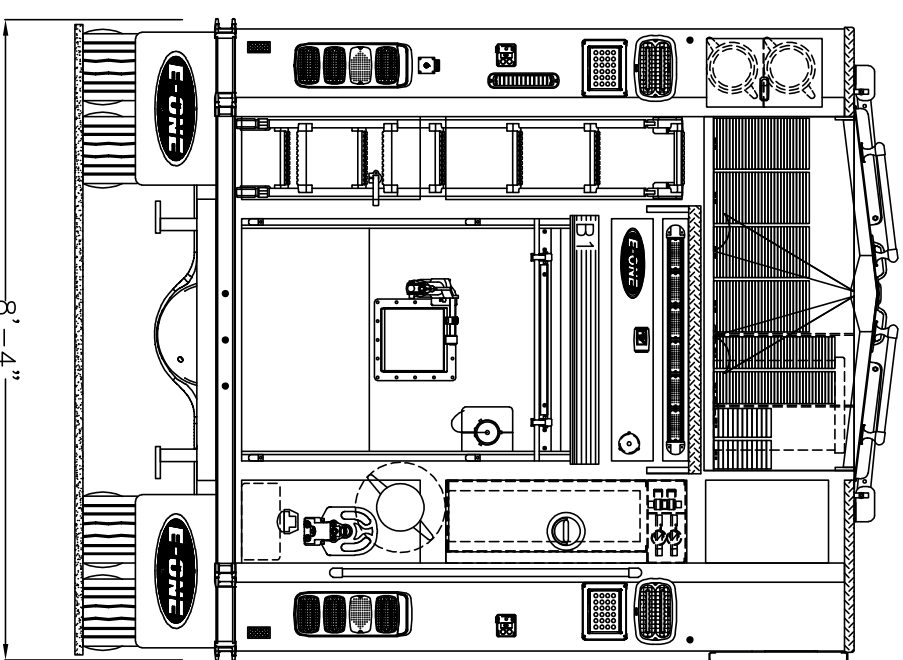
THIS DRAWING IS FOR REFERENCE PURPOSES. ALL DIMENSIONS ARE SUBJECT TO MINOR VARIATIONS DUE TO MANUFACTURING PROCESSES.

(FOR INTERNAL SALES PURPOSES ONLY)

DEALER APPROVAL _____ DATE _____ DAS IS _____
 CUSTOMER APPROVAL _____ DATE _____ WITH REVISIONS _____



HOSEBED HEIGHT:
 (FOR REFERENCE ONLY)
 TO TAILBOARD: 75"
 TO GROUND: 99"



APR/K	REV	DESCRIPTION	DATE	APR/K
	1	ORDER RELEASE	2001-04-04	
	2	APPROVAL REVISIONS		



LINVILLE VOL. FIRE DEPT.

LINVILLE, NC

S.O. 144506 / QUOTE 101660

PUMPER

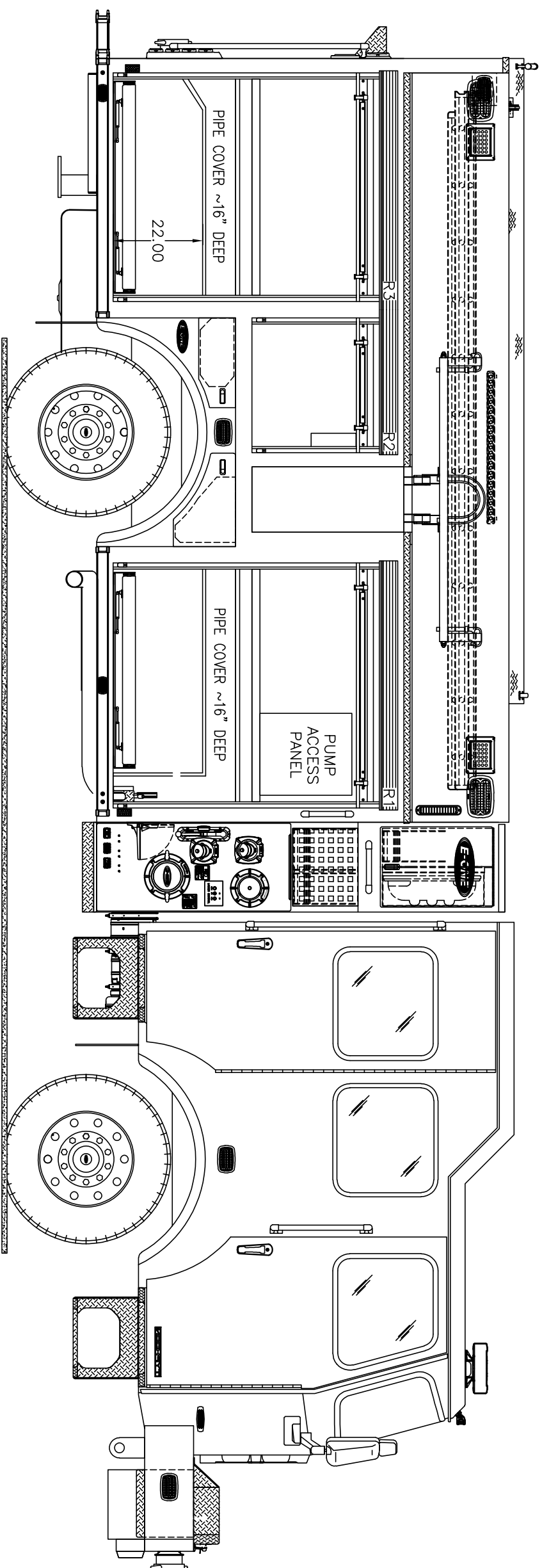
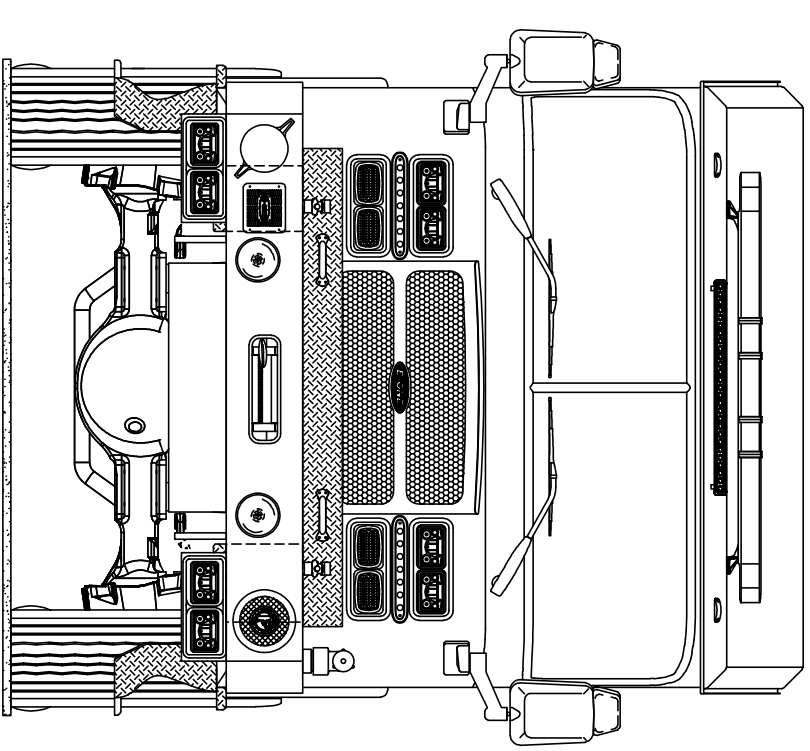
TYPHOON 4X4 CHASSIS

THIS DRAWING IS FOR REFERENCE PURPOSES. ALL DIMENSIONS ARE SUBJECT TO MINOR VARIATIONS DUE TO MANUFACTURING PROCESSES.

(FOR INTERNAL SALES PURPOSES ONLY)

DEALER APPROVAL _____ DATE _____ DAS IS _____

CUSTOMER APPROVAL _____ DATE _____ WITH REVISIONS _____



AP/WK	8.2	ORDER RELEASE	2001-04-04	AP/WK
DRAWN BY	REV	DESCRIPTION	DATE	APPROVED
		REVISIONS		
				SHEET 2 OF 2