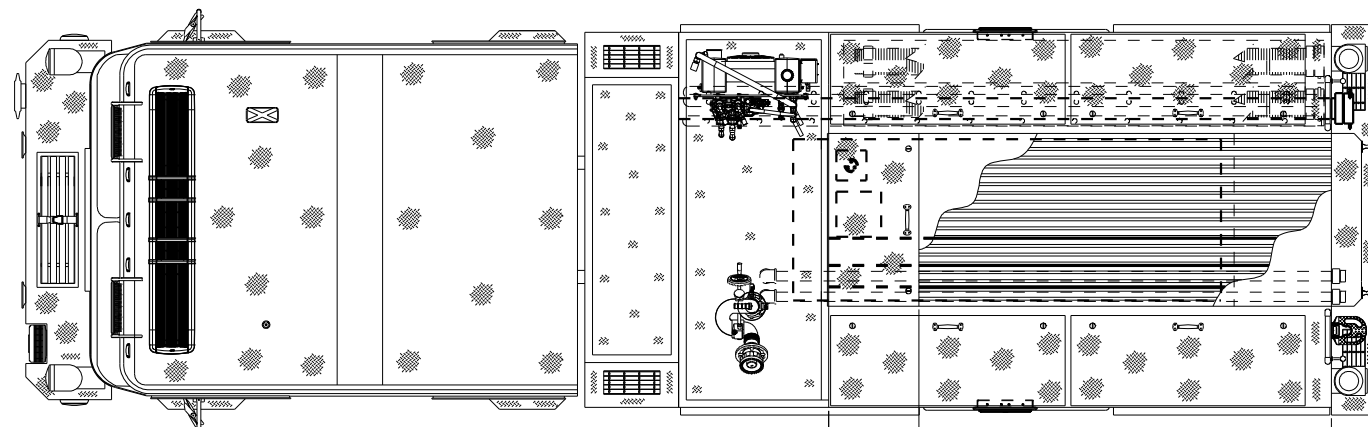


FRONT VIEW

COMPARTMENT DIMENSIONS		
COMPT.	CLEAR DOOR OPENING (W x H):	COMPARTMENT INTERIOR (W x H x LD/UD):
L1	51-1/2"W x 59-1/2"H	56"W x 70"H x 27"D
L2	51-1/2"W x 28-1/4"H	60"W x 38-3/4"H x 27"D
L3	45-1/2"W x 59-1/2"H	50"W x 70"H x 27"D
R1	51-1/2"W x 59-1/2"H	56"W x 31-1/4"H x 27"D L / 56"W x 38-3/4"H x 14"D U
R2	51-1/2"W x 28-1/4"H	60"W x 38-3/4"H x 14"D
R3	45-1/2"W x 59-1/2"H	50"W x 31-1/4"H x 27"D L / 50"W x 38-3/4"H x 14"D U
B1	39"W x 43-3/4"H	46"W x 55"H x 26"D



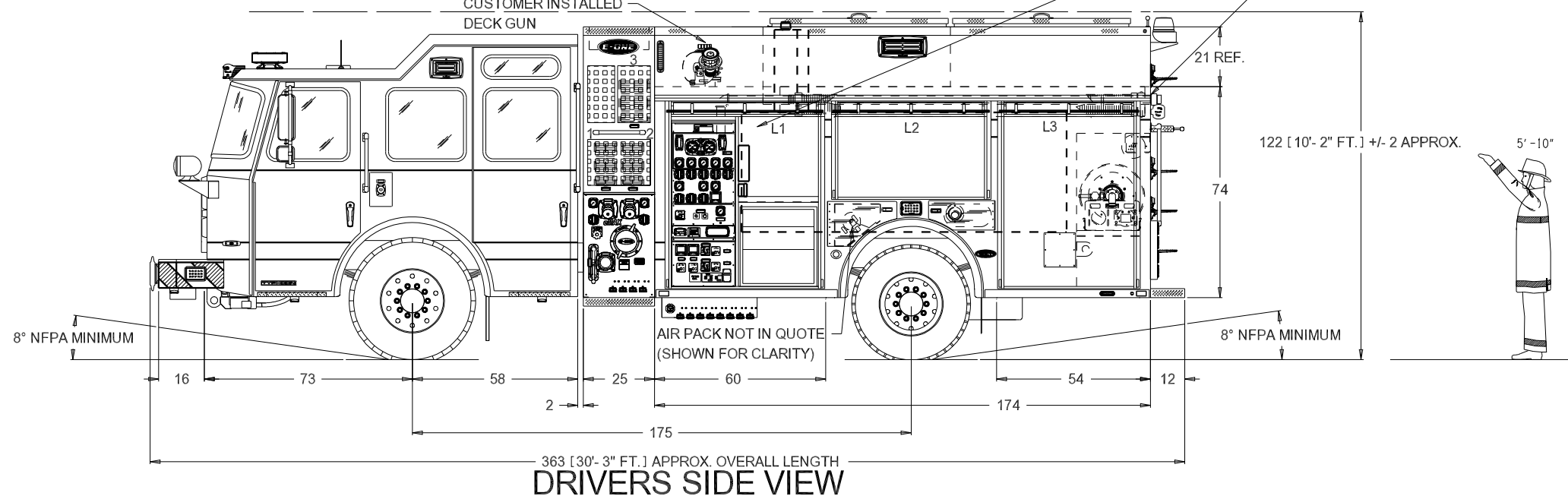
TOP VIEW

SPEEDLAY #1 = 200' OF 1-3/4" HOSE SPEEDLAY #2 = 200' OF 1-3/4" HOSE SPEEDLAY #3 = 200' OF 2-1/2" HOSE

CUSTOMER INSTALLED
DECK GUN

INVERTER MOUNTED IN L1

PAINT BREAK



DRIVERS SIDE VIEW

SUCTION HOSE NOT IN QUOTE
(SHOWN FOR CLARITY)

HOSE BED LAYOUT:

BED 1 = 300' OF 2" HOSE

PRECONNECT

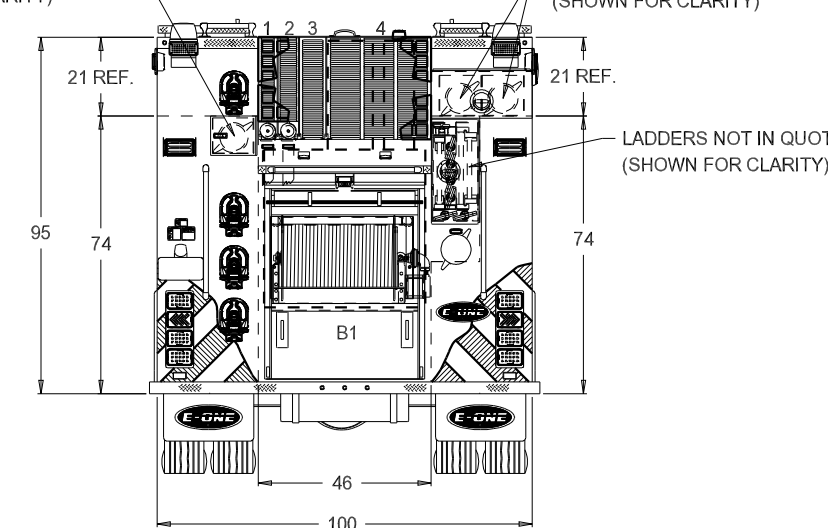
BED 2 = 200' OF 2-1/2" HOSE

PRECONNECT

BED 3 = 400' OF 3" HOSE

BED 4 = 950' OF 5" LDH

SUCTION HOSE NOT IN QUOTE
(SHOWN FOR CLARITY)



REAR VIEW

THIS DRAWING IS FOR REFERENCE PURPOSES. ALL DIMENSIONS ARE SUBJECT TO MINOR VARIATIONS DUE TO MANUFACTURING PROCESSES.

This print is the property of E-ONE Inc. and is loaned to you subject to return on demand, unless otherwise agreed to in writing by E-ONE Inc. Its contents are confidential and must not be copied or submitted to third parties for use or examination.

DEALER APPROVAL _____

DATE _____

AS IS

CUSTOMER APPROVAL _____

DATE _____

WITH REVISIONS

REV.	REVISION NOTE / CO#:	DATE:	DRAWN BY:
-	INITIAL DRAWING TO MATCH QUOTE REV. 94	042021	R.S.
A	REVISED TO MATCH QUOTE REV. 133	091621	R.S.
B	REVISED TO MATCH QUOTE REV. 144 (HOSEBED CHANGE PER DEALER)	092421	R.S.
C	TURNED INTO JOB ORDER (REF Q109769) & ORDER SCRUB QREV 156	120621	R.H.
D	REVISED PER PRE BUILD CR'S QREV 168	020122	R.H.
E	REVISED PER ACTION ITEMS & RFP QREV 178	030722	R.H.
F	PANEL UPDATES DUE TO HALE-XS PUMP	032322	R.H.
G	REVISED PER CHANGE ORDER	081122	R.H.
H	PANEL UPDATES PER DESIGN	081822	R.H.
J	REVISED PER CHANGE ORDER	120222	R.H.

Tolerance: Lin: ±.50" Ang: ±50 °
Dealer: FIRE LINE EQUIPMENT LLC
GENERATOR:
Misc:

Units: Inches [mm Imports Only]
Water Tank Capacity: 760 WATER / 20 FOAM
Misc:
Misc:



BENDERSVILLE COMM FIRE COMPANY

SO.NO. 145379 (PSEM-TYPN)

RESCUE PUMPER 780 GALLON TANK

TYPHOON MED. 12" VISTA

FILE NAME: 145379 BENDERSVILLE COMM FIRE COMPANY