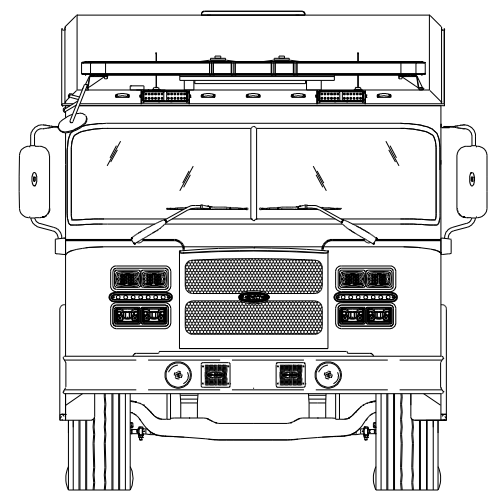
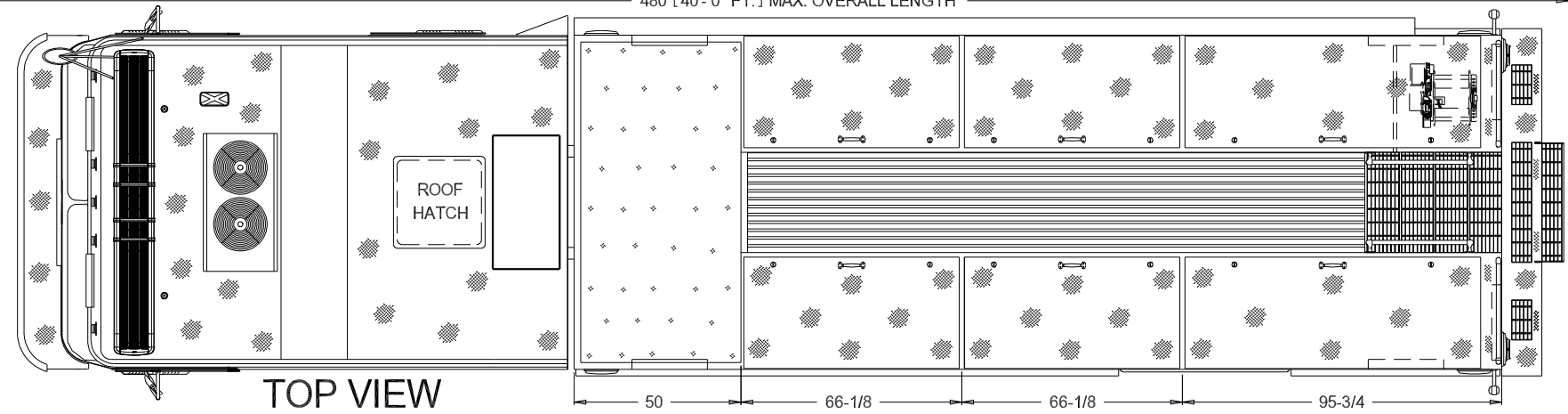


OFFICER SIDE VIEW
480 [40'-0" FT.] MAX. OVERALL LENGTH

156 (13'-0") MAX. OVERALL HEIGHT

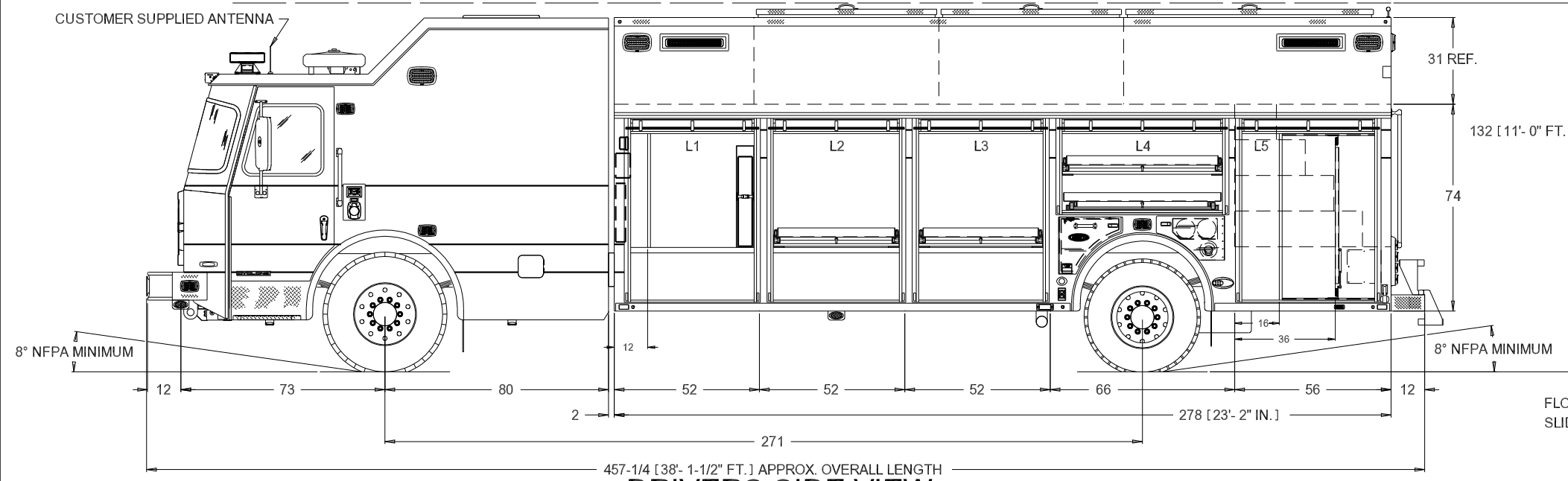


FRONT VIEW



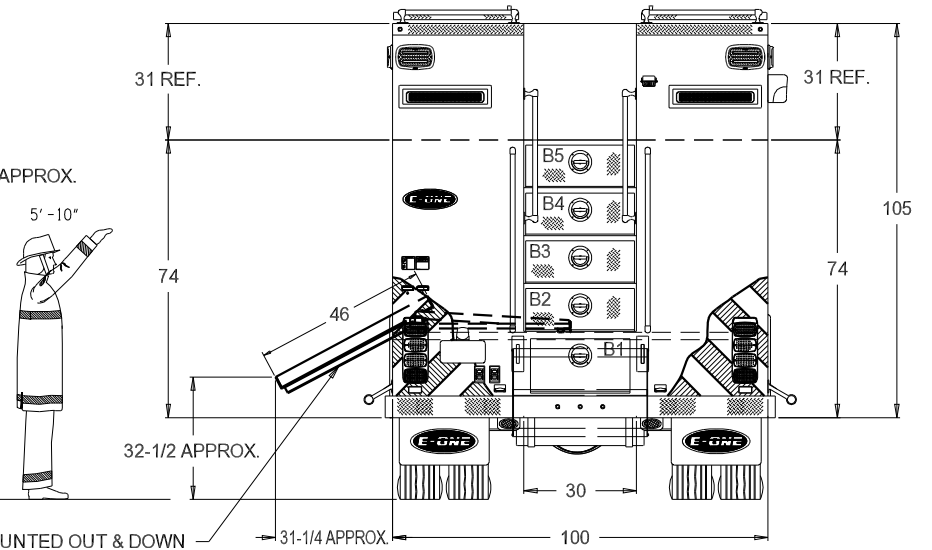
TOP VIEW

COMPARTMENT DIMENSIONS		
COMP.	CLEAR DOOR OPENING (W x H):	COMPARTMENT INTERIOR (W x H x LD/UD):
L1	44-1/4"W x 59-1/2"H	48"W x 27"D LOWER / TRANSVERSE OVER FRAME
L2	45-1/4"W x 59-1/2"H	52"W x 27"D LOWER / TRANSVERSE OVER FRAME
L3	44-1/2"W x 59-1/2"H	52"W x 27"D LOWER / TRANSVERSE OVER FRAME
L4	57-1/2"W x 28-1/4"H	66"W x 38-3/4"H x TRANSVERSE
L5	47-1/2"W x 59-1/2"H	52"W x 70"H x 27"D
R1	44-1/4"W x 59-1/2"H	48"W x 27"D LOWER / TRANSVERSE OVER FRAME
R2	45-1/4"W x 59-1/2"H	52"W x 27"D LOWER / TRANSVERSE OVER FRAME
R3	44-1/2"W x 59-1/2"H	52"W x 27"D LOWER / TRANSVERSE OVER FRAME
R4	57-1/2"W x 28-1/4"H	66"W x 38-3/4"H x TRANSVERSE
R5	47-1/2"W x 59-1/2"H	52"W x 70"H x 27"D
B1	25"W x 13-3/4"H	26-1/2"W x 14-1/2"H x 26"D
B2	25"W x 10"H	26"W x 12-1/2"H x 45"D
B3	25"W x 10"H	26"W x 12-1/2"H x 35"D
B4	25"W x 10"H	26"W x 12-1/2"H x 25"D
B5	25"W x 10"H	26"W x 12-1/2"H x 15"D



DRIVERS SIDE VIEW
457-1/4 [38'-1-1/2" FT.] APPROX. OVERALL LENGTH

31 REF.
132 [11'-0" FT.] +/- 2" APPROX.
74
5'-10"



REAR VIEW

FLOOR MOUNTED OUT & DOWN
SLIDE MASTER TRAYS (L2 & L3)

THIS DRAWING IS FOR REFERENCE PURPOSES. ALL DIMENSIONS ARE SUBJECT TO MINOR VARIATIONS DUE TO MANUFACTURING PROCESSES.

This print is the property of E-ONE Inc. and is loaned to you subject to return on demand, unless otherwise agreed to in writing by E-ONE Inc. Its contents are confidential and must not be copied or submitted to third parties for use or examination.

DEALER APPROVAL _____ DATE _____ AS IS

CUSTOMER APPROVAL _____ DATE _____ WITH REVISIONS

REV.	REVISION NOTE / CO#.	DATE:	DRAWN BY:
-	INITIAL DRAWING TO MATCH QUOTE REV. 69	110520	R.S.
A	REVISED TO MATCH QUOTE REV. 183	021121	R.S.
B	REVISED TO MATCH QUOTE REV. 187	021521	R.S.
C	TURNED INTO JOB ORDER (Q103383) & ORDER SCRUB QREV 219	073021	R.H.
D	UPDATES PER PRE-BUILD CR'S QREV 243	092721	R.H.
E	UPDATES PER DEALER REQUEST QREV 245	092821	R.H.
F	UPDATES PER DEALER EMAIL QREV 252	092821	R.H.
G	UPDATES PER ACTION ITEMS & RFP	110921	R.R.
H	UPDATES TO CREW DOOR DETAIL	111121	R.H.
J	UPDATES PER ACTION ITEMS	010422	R.H.
K	UPDATES TO ROOF SIGN PLATE LOCATION	022322	R.H.

Tolerance: Lin: ±.50" Ang: ±50°	Units: Inches [mm Imports Only]
Dealer: MATHENY MOTOR TRUCK	Water Tank Capacity: -
GENERATOR: ONAN 15KW PTO	Misc: -
Misc: -	Misc: -



METROPOLITAN WASHINGTON AIRPORT AUT
SO. NO. 145037 (RSHN-CYCN)
HEAVY RESCUE NON-WALK
CYCLONE 3-DOOR EXTENDED (80" CA) 4F/24R VISTA
FILE NAME: 145037 METROPOLITAN WASHINGTON AIRPORT AUT