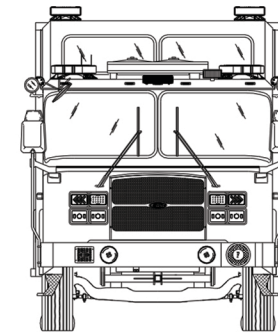
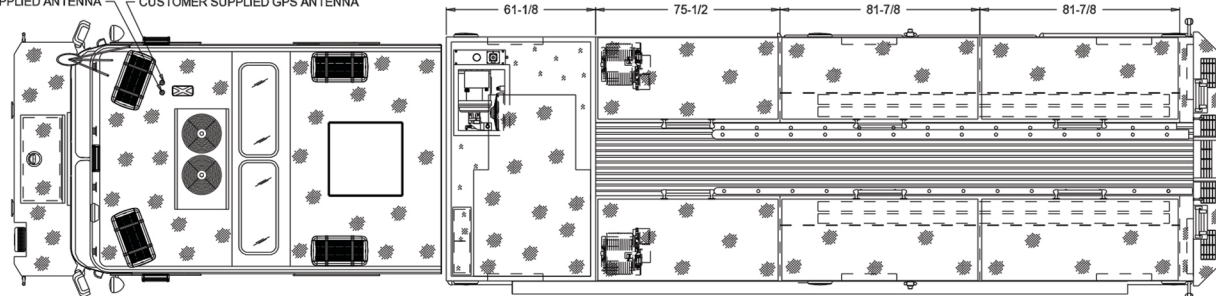


OFFICER SIDE VIEW



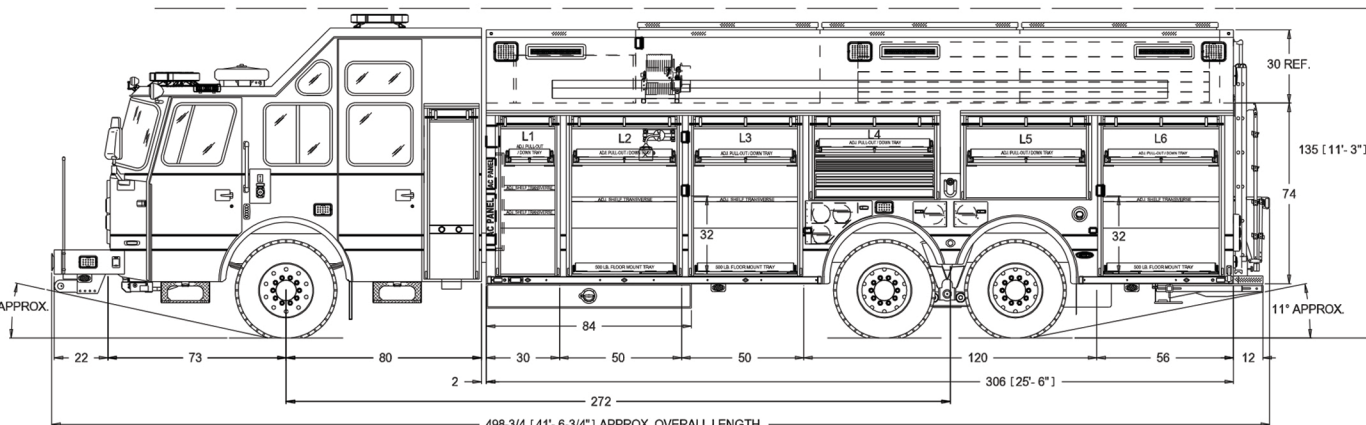
FRONT VIEW

CUSTOMER SUPPLIED ANTENNA  
CUSTOMER SUPPLIED GPS ANTENNA

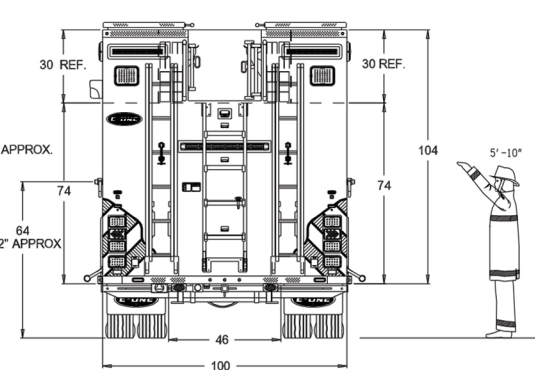


TOP VIEW

COMPARTMENT DIMENSIONS		
COMPT.	CLEAR DOOR OPENING (W x H):	COMPARTMENT INTERIOR (W x H x LD/UD):
L1	22-1/4" W x 59-1/2" H	26" W x 27" D LOWER / 26" W x TRANSVERSE OVER FRAME
L2	43-1/4" W x 59-1/2" H	50" W x 27" D LOWER / 50" W x TRANSVERSE OVER FRAME
L3	42-1/2" W x 59-1/2" H	50" W x 27" D LOWER / 50" W x TRANSVERSE OVER FRAME
L4	49-1/4" W x 28-1/4" H	57" W x 38-3/4" H x TRANSVERSE
L5	49-1/4" W x 28-1/4" H	57" W x 38-3/4" H x TRANSVERSE
L6	47-1/2" W x 59-1/2" H	52" W x 27" D LOWER / 52" W x TRANSVERSE OVER FRAME
R1	22-1/4" W x 59-1/2" H	26" W x 27" D LOWER / 26" W x TRANSVERSE OVER FRAME
R2	43-1/4" W x 59-1/2" H	50" W x 27" D LOWER / 50" W x TRANSVERSE OVER FRAME
R3	42-1/2" W x 59-1/2" H	50" W x 27" D LOWER / 50" W x TRANSVERSE OVER FRAME
R4	49-1/4" W x 28-1/4" H	57" W x 38-3/4" H x TRANSVERSE
R5	49-1/4" W x 28-1/4" H	57" W x 38-3/4" H x TRANSVERSE
R6	47-1/2" W x 59-1/2" H	52" W x 27" D LOWER / 52" W x TRANSVERSE OVER FRAME



498-3/4 [41'-6-3/4"] APPROX. OVERALL LENGTH  
DRIVERS SIDE VIEW



REAR VIEW

THIS DRAWING IS FOR REFERENCE PURPOSES. ALL DIMENSIONS ARE SUBJECT TO MINOR VARIATIONS DUE TO MANUFACTURING PROCESSES.

This print is the property of Emergency One Inc. and is loaned to you subject to return on demand, unless otherwise agreed to in writing by Emergency One Inc. Its contents are confidential and must not be copied or submitted to third parties for use or examination.

APPROVED FOR PRODUCTION

DESIGNER: R. RZESZUT / R. HAERTEL DATE: 07/23/2019

REV.	REVISION NOTE / CO#:	DATE:	DRAWN BY:	Tolerance: Lin: ±.50" Ang: ±50°	Units: Inches [mm Imports Only]
B	REVISED PER CUSTOMER REQUEST	061918	R.S.		Water Tank Capacity:
C	REVISED TO MATCH QUOTE REV. 129	072718	R.S.		N/A
D	TURNED INTO JOB ORDER (REF Q91833) & ORDER SCRUB	100118	R.R.		Misc:
E	EDITS PER PRE-BUILD CR'S	111618	R.H.		Misc:
F	EDITS PER ADDITIONAL CR'S	021219	R.H.		Misc:
G	EDITS PER ADDITIONAL CR'S (QUOTE REV. 183)	051519	R.H.		Misc:
H	EDITS PER ADDITIONAL CR'S (QUOTE REV. 204) / UPDATE TO RFP	073119	R.H.		
J	EDITS PER ACTION ITEMS Q REV 207	092719	R.H.		
K	UPDATES TO OUTLET LOCATIONS	011520	R.H.		
L	ADDED OUTLET IN R3	011620	R.H.		
M	UPDATES TO REAR DOT LIGHTS	011720	R.H.		
N	UPDATES PER CHANGE ORDER	021120	R.H.		
P	UPDATES PER ACTION ITEM 27538	081720	R.H.		



CITY OF AURORA FIRE DEPARTMENT

SO.NO. 142644 (RSHN-CYC2)  
CYCLONE II X MED. 80" CA 24" VISTA  
HEAVY RESCUE NON-WALK

FILE NAME: 142644 CITY OF AURORA FIRE DEPARTMENT