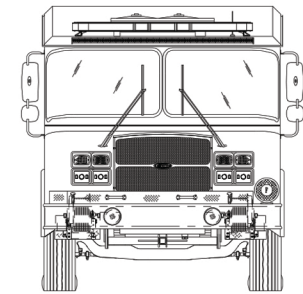


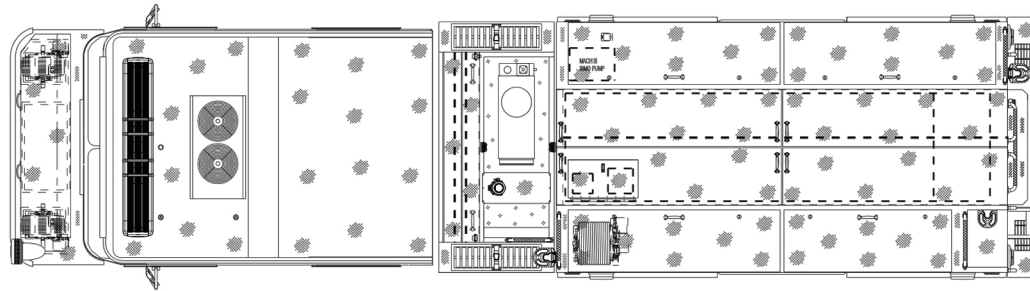
OFFICER SIDE VIEW

414 [34'-6" FT.] MAX. OVERALL LENGTH



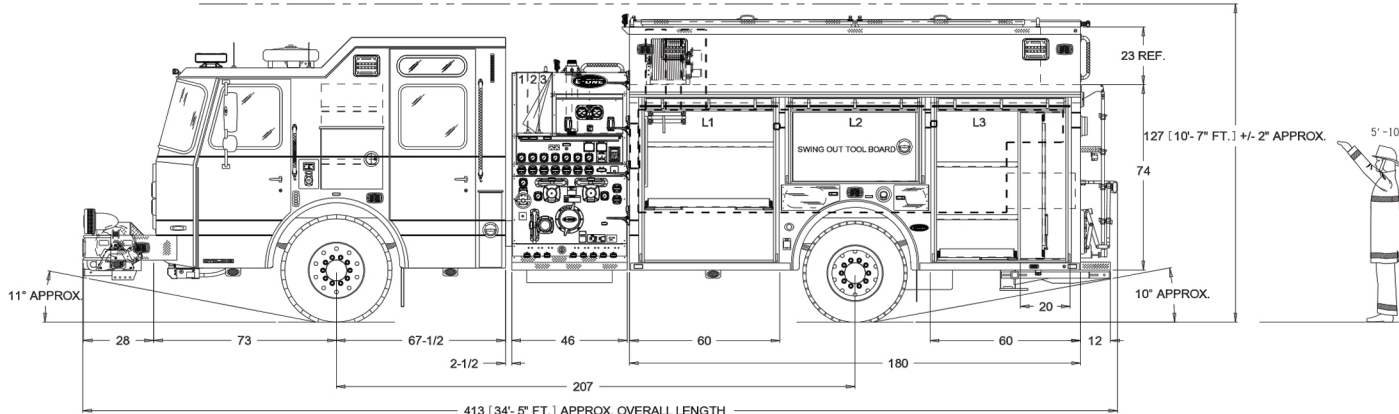
FRONT VIEW

COMPARTMENT DIMENSIONS		
COMPT.	CLEAR DOOR OPENING (W x H):	COMPARTMENT INTERIOR (W x H x LD/UD):
L1	51-1/2"W x 59-1/2"H	56"W x 70"H x 27"D
L2	51-1/2"W x 28-1/4"H	60"W x 38-3/4"H x 27"D
L3	51-1/2"W x 59-1/2"H	56"W x 70"H x 27"D
R1	51-1/2"W x 59-1/2"H	56"W x 70"H x 27"D
R2	51-1/2"W x 28-1/4"H	60"W x 38-3/4"H x 27"D
R3	51-1/2"W x 59-1/2"H	56"W x 70"H x 27"D
B1	39"W x 33-3/4"H	46"W x 45"H x 26"D



TOP VIEW

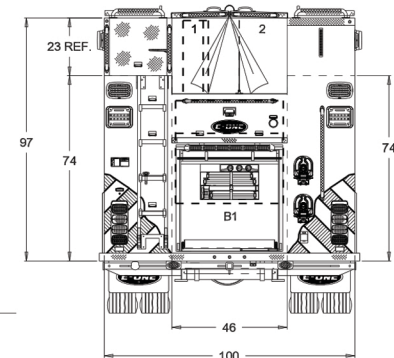
CROSSLAY #1 = 200' OF 1-3/4" HOSE CROSSLAY #2 = 200' OF 1-3/4" HOSE CROSSLAY #3 = 200' OF 2-1/2" HOSE



DRIVERS SIDE VIEW

413 [34'-5" FT.] APPROX. OVERALL LENGTH

HOSE BED LAYOUT:
BED 1 = 1200' OF 5" HOSE
BED 2 = 1200' OF 3" HOSE



REAR VIEW



CITY OF KETTERING FIRE DEPARTMENT
SO. NO. 142701 (PSRS-CYC2)
RESCUE PUMPER 1030 GALLON TANK 780 NET
CYCLONE II LONG 12" VISTA
FILE NAME: 142701 CITY OF KETTERING FIRE DEPARTMENT