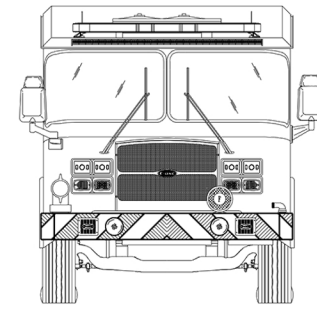
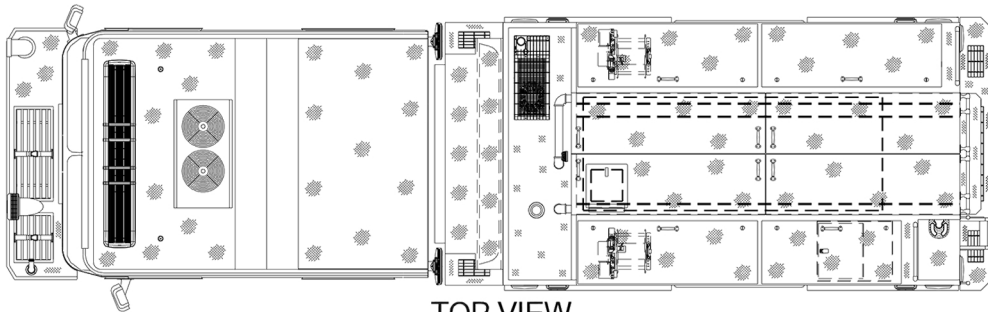


OFFICER SIDE VIEW



FRONT VIEW



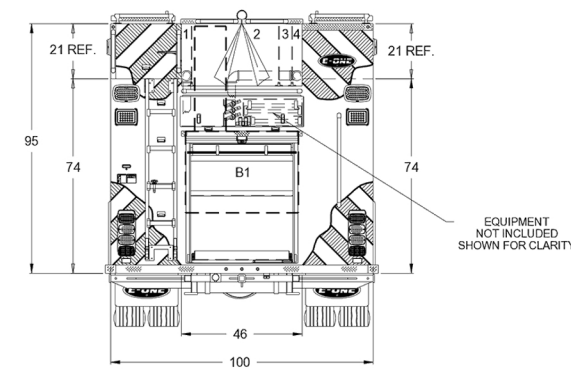
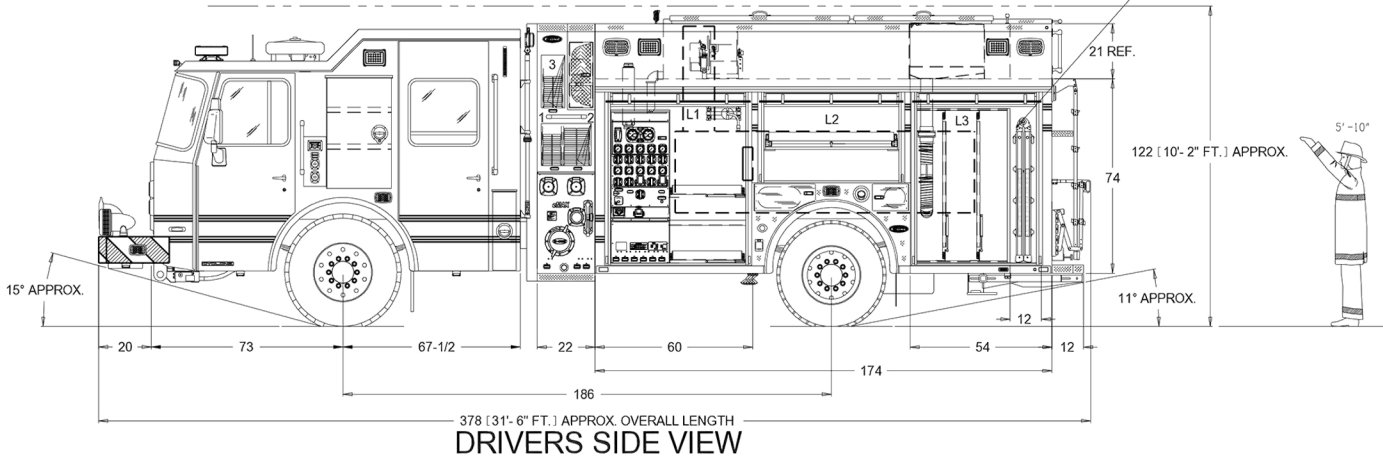
TOP VIEW

COMPARTMENT DIMENSIONS		
COMPT.	CLEAR DOOR OPENING (W x H):	COMPARTMENT INTERIOR (W x H x LD/UD):
L1	51-1/2"W x 59-1/2"H	56"W x 70"H x 27"D
L2	51-1/2"W x 28-1/4"H	60"W x 38-3/4"H x 27"D
L3	45-1/2"W x 59-1/2"H	50"W x 70"H x 27"D
R1	51-1/2"W x 59-1/2"H	56"W x 70"H x 27"D
R2	36-1/2"W x 28-1/4"H	60"W x 38-3/4"H x 27"D
R3	45-1/2"W x 59-1/2"H	50"W x 70"H x 27"D
B1	39"W x 38-3/4"H	46"W x 50"H x 26"D

- HOSE BED LAYOUT:
 BED 1 = 250' OF 1-3/4" HOSE
 PRECONNECT
 BED 2 = 1000' OF 5" HOSE
 BED 3 = 400' OF 2-1/2" HOSE
 BED 4 = 200' OF 2-1/2" HOSE
 PRECONNECT

SPEEDLAY #1 = 200' OF 1-3/4" HOSE SPEEDLAY #2 = 200' OF 2-1/2" HOSE SPEEDLAY #3 = 200' OF 1-3/4" HOSE

EQUIPMENT NOT INCLUDED SHOWN FOR CLARITY



REAR VIEW



SPRINGDALE FIRE DEPARTMENT
 SO. NO. 141368 (PSEM-CYC2)
 E-MAX RESCUE PUMPER 530 GALLON TANK
 CYCLONE II LONG 12" VISTA
 FILE NAME: 141368 SPRINGDALE FIRE DEPARTMENT